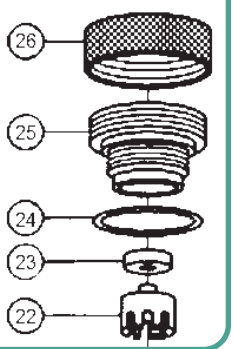




Parts Kits for Frost Free Faucets

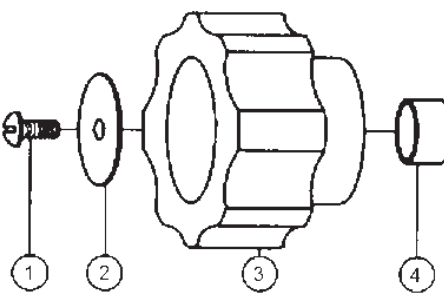
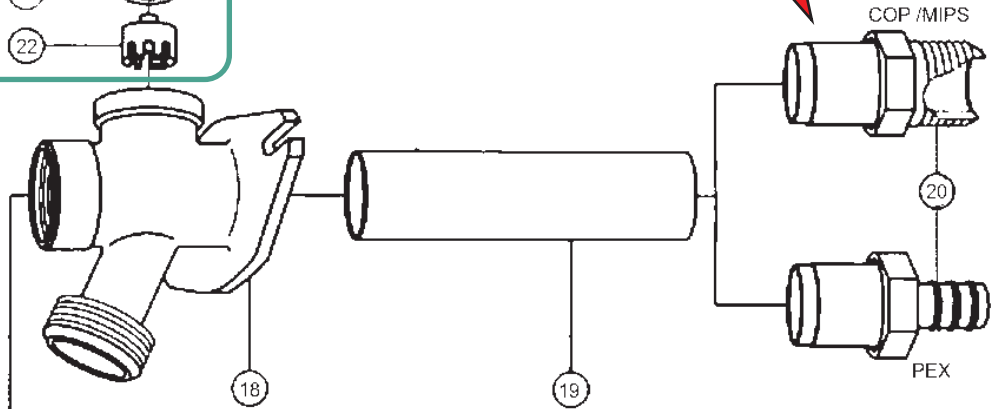
**NEW
INSTOCK**

Parts kit 'C'
Kit # 27993
Vacuum
(Fits all lengths)



Parts good for both C/MIPS or PEX inlet connection

Parts kit 'A'
Kit # 27994
Plastic Handle
(Fits all lengths)

Parts kit 'B'

Not as shown
Shipped assembled

Original factory parts for BMI faucets

Kit # 27908	for 8"	Long Faucet
Kit # 27910	for 10"	" "
Kit # 27912	for 12"	" "
Kit # 27914	for 14"	" "
Kit # 27918	for 18"	" "

