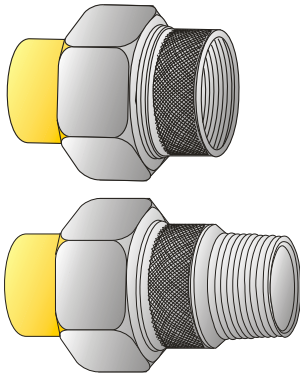


**BMI CANADA DIELECTRIC UNIONS  
& STEEL COUPLINGS PRICE LIST**

**DIE  
12-1**

February 3, 2012

**BMI CANADA DIELECTRIC UNIONS PRICE LIST**



Sizes	BMI#	Bar codes	Packing	\$
1/2"	07504	777701075049	10/100	8.00
3/4"	07505	777701075056	10/80	9.57
1"	07506	777701075063	10/50	14.27
1 1/4"	07507	777701075070	5/40	18.89
1 1/2"	07508	777701075087	4/24	28.21
2"	07509	777701075094	1/18	47.43
1/2"x3/4"	07523	777701075230	10/80	9.41

**CxM**

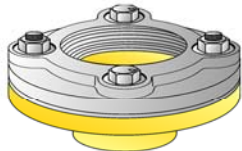
1/2"	07534	777701075346	12/144	8.50
3/4"	07535	777701075353	10/80	11.88
1/2"x3/4"	07543	777701075438	10/80	11.47

REG: 80°C (156°F) - 250 psi (17.24 BAR)

MAX: 150°C (302°F) - 50 psi (3.45 BAR)

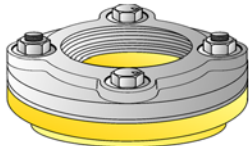
**ALL BMI DIELECTRIC UNION HAVE A HIGH TEMPERATURE GASKET (RED)**

**DIELECTRIC FLANGE UNIONS**



**GALV. CAST IRON FIPS END  
X  
BRONZE SOLDER END**

Sizes	BMI#	Bar codes	Packing	\$
2 1/2"	07550	777701075506	1/5	295.00
3"	07551	777701075513	1/5	325.00
4"	07552	777701075520	1/2	450.00



**GALV. CAST IRON FIPS END  
X  
BRONZE FIPS END**

Sizes	BMI#	Bar codes	Packing	\$
2 1/2"	07580	777701075803	1/1	425.00
3"	07581	777701075810	1/1	500.00
4"	07582	777701075827	1/1	750.00

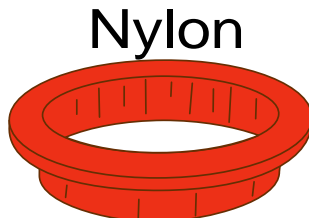
**PARTS FOR DIELECTRIC UNIONS**



**Viton®**

**HIGH TEMPERATURE  
VITON<sub>R</sub> RUBBER  
FLAT GASKET**

Sizes	BMI#	Bar codes	Packing	\$
1/2"	07604	777701076046	1/1	1.25
3/4"	07605	777701076053	1/1	1.25
1"	07606	777701076060	1/1	2.00
1 1/4"	07607	777701076077	1/1	3.00
1 1/2"	07608	777701076084	1/1	4.00
2"	07609	777701076091	1/1	4.75



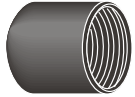
**Nylon**

**HIGH RESISTANCE  
NYLON  
INSULATOR SLEEVE**

Sizes	BMI#	Bar codes	Packing	\$
1/2"	07804	777701078040	1/1	0.32
3/4"	07805	777701078057	1/1	0.42
1"	07806	777701078064	1/1	0.54
1 1/4"	07807	777701078071	1/1	0.67
1 1/2"	07808	777701078088	1/1	0.83
2"	07809	777701078095	1/1	1.02

## STANDARD MERCHANT STEEL HALF COUPLINGS

**NPS Straight Tapped Threads**  
 \* = NPT Taper Pipe Threads  
 BLACK



Sizes	BMI#	Bar codes	Packing	\$
1/2"	07204	777701072048	50/800	1.05
3/4"	07205	777701072055	25/400	1.44
1"	07206	777701072062	25/300	2.19
1 1/4"	07207	777701072079	25/200	2.66
1 1/2"	07208	777701072086	25/150	3.42
2"	07209	777701072093	25/100	4.62
* 2 1/2"	07210	777701072109	1/50	13.80
* 3"	07211	777701072116	1/30	21.52
* 4"	07212	777701072123	1/25	29.24

## WROT STEEL COUPLINGS



BLACK



GALVANIZED

Sizes	BMI#	Bar codes	Packing	\$	Sizes	BMI#	Bar codes	Packing	\$
1/8"	07001	777701070013	10/600	0.96	1/8"	07101	777701071010	10/600	0.98
1/4"	07002	777701070020	10/500	1.18	1/4"	07102	777701071027	10/500	1.24
3/8"	07003	777701070037	10/300	1.29	3/8"	07103	777701071034	10/300	1.37
1/2"	07004	777701070044	10/250	1.41	1/2"	07104	777701071041	10/250	1.52
3/4"	07005	777701070051	10/150	1.92	3/4"	07105	777701071058	10/150	2.07
1"	07006	777701070068	1/100	2.92	1"	07106	777701071065	1/100	3.19
1 1/4"	07007	777701070075	1/70	3.55	1 1/4"	07107	777701071072	1/70	3.89
1 1/2"	07008	777701070082	1/60	4.58	1 1/2"	07108	777701071089	1/60	5.02
2"	07009	777701070099	1/40	6.17	2"	07109	777701071096	1/40	6.92
2 1/2"	07010	777701070105	1/20	18.41	2 1/2"	07110	777701071102	1/8	19.90
3"	07011	777701070112	1/6	28.73	3"	07111	777701071119	1/6	31.10
4"	07012	777701070129	1/4	39.02	4"	07112	777701071126	1/4	42.23
5"	07013	777701070136	1/1	62.00	5"	07113	777701071133	1/1	68.00
6"	07014	777701070143	1/1	105.00	6"	07114	777701071140	1/1	113.00