



**BMI USA NO-HUB COUPLINGS PRICE LIST**

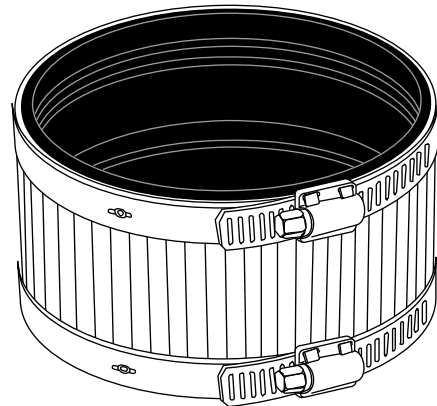
**NHC  
12-1**

May 15, 2012

**REGULAR**

BMI#	Sizes	Packings	Pallets	\$
18908	1 1/2	100	7 200	4.39
18909	2	100	6 300	4.83
18911	3	100	3 200	5.49
18912	4	60	2 400	6.80
18913	5	20	960	13.61
18914	6	20	880	14.92
18918	8	15	360	21.07
18919	10	12	288	28.97
18920	12	8	96	43.00

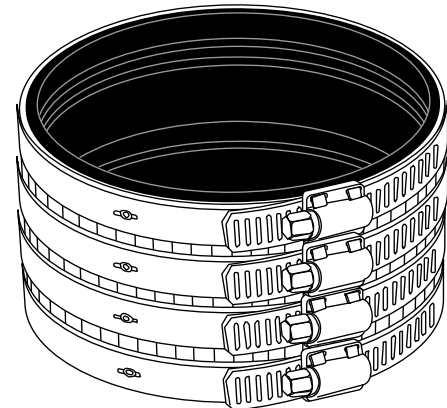
18940	2 x 1 1/2	100	6 300	5.93
18952	3 x 2	100	3 200	9.44



CAN/ULC-S102

**HEAVY PATTERN**

BMI#	Sizes	Packings	Pallets	\$
18969	2	75	4 725	12.45
18971	3	48	3 024	15.07
18972	4	48	1 536	18.54
18973	5	15	720	32.68
18974	6	15	630	39.37
18975	8	15	360	55.87
18976	10	10	180	67.93



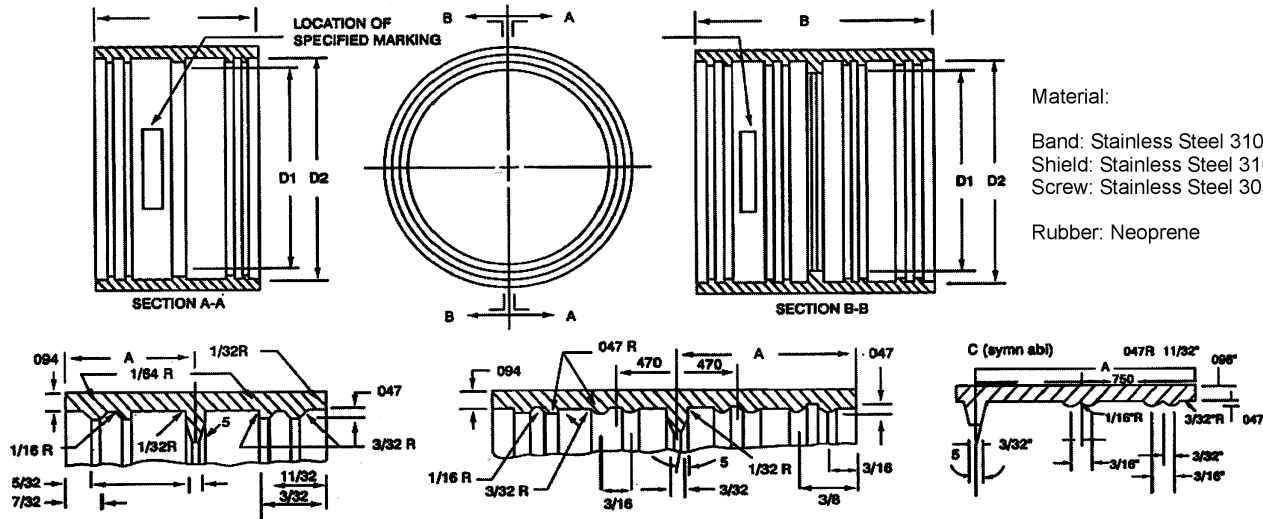
CAN/ULC-S102

# TECHNICAL SPECIFICATION

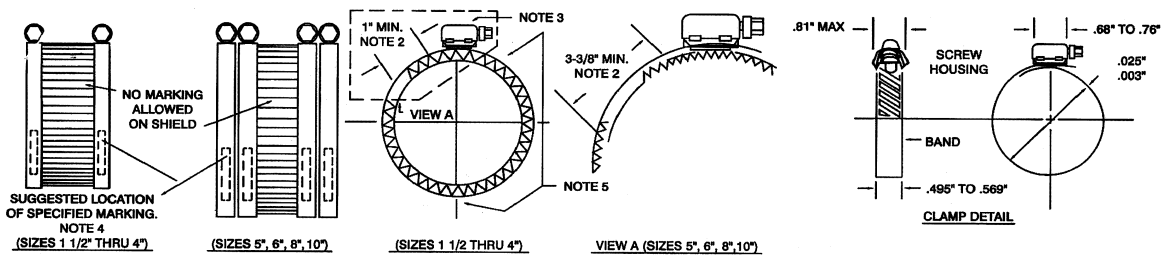
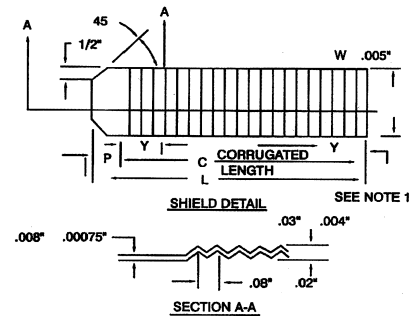
ASTM C 1277    CSA B125    UPC C1277-2006



Material:  
 Band: Stainless Steel 310  
 Shield: Stainless Steel 310  
 Screw: Stainless Steel 305  
 Rubber: Neoprene



DIMENSIONAL TOLERANCES TO BE RMA CLASS 3 (In Inches)						
Sizes	1 1/2"	2"	3"	4"	6"	8"
A	1.062	1.062	1.062	1.062	1.500	2
B	2.125	2.125	2.125	2.125	3.000	4.000
D1	1.531	1.968	2.968	4.000	5.968	7.968
D2	1.937	2.343	3.343	4.406	6.343	8.343
P	.625~1	.625~1	.625~1	.625~1	2.25~2.5	2.25~2.5
L	7.500	9.000	12.250	15.625	22.625	29.031
W	2.125	2.125	2.125	2.125	3.000	3.000
X	2.5~1.5	3~2	4~3	5~4	7.2~6.3	9.2~8.3
C	6.875~6.5	8.375~8	11.625~11.25	15~14.625	20.375~20.125	25.875~26.125



All taxes extra  
 All prices in U.S. dollars

BMI U.S. Price List NHC 12-1 replaces NHC 11-1

Page 2 of 2