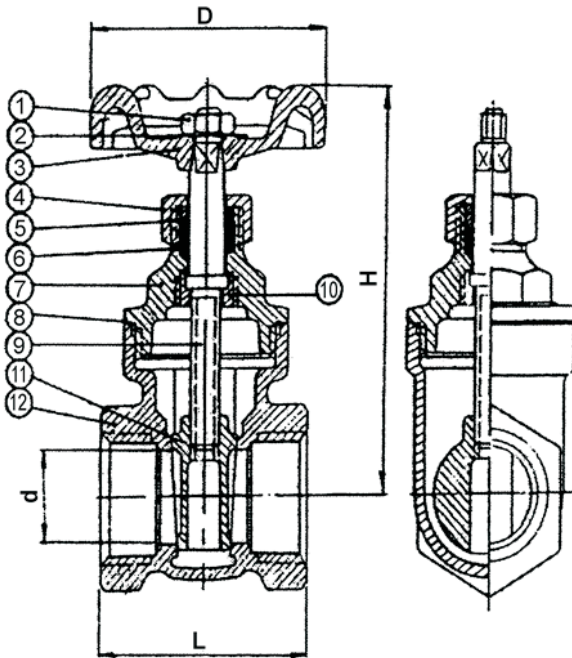


# TECHNICAL SPECIFICATIONS

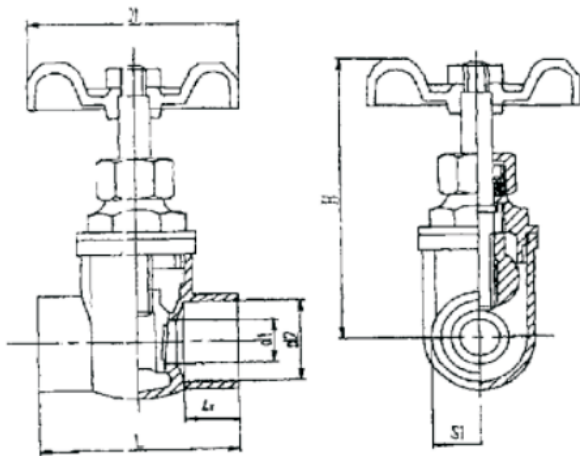
## BRASS GATE VALVES 150 WOG



### THREADED (in mm)

#BMI	Size	L	H	D	d
14102	1/4"	43.5	72	51	11
14103	3/8"	43.5	72	51	12
14104	1/2"	43.5	74	51	13.5
14105	3/4"	46	84	56	19
14106	1"	54	99	65	25
14107	1 1/4"	57	117	70	32
14108	1 1/2"	62	129	79	38
14109	2"	68	152	94	49
14110	2 1/2"	94	175	102	62
14111	3"	102	216	127	75
14112	4"	115	251	127	92

Standard: Threaded ends / ANSI/ASME B1.20.1  
Pressure Rating: 150 WOG non shock (water, oil, gas)

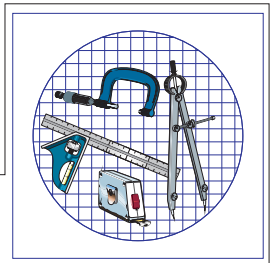


### C x C (in mm)

#BMI	Size	L	H	D	d
14204	1/2"	43	74	51	13.5
14205	3/4"	59	84	56	19
14206	1"	69	99	65	25
14207	1 1/4"	75	117	70	32
14208	1 1/2"	84	129	79	38
14209	2"	101	152	94	49

Standard: Solder ends / ANSI B16.18  
Pressure Rating: 150 WOG non shock (water, oil, gas)

#	Piece	MATERIAL	#	Piece	MATERIAL
1	NUT	STEEL (SAE 1010R)	7	BONNET	BRASS (B584 - C85710)
2	NAME PLATE	ALUMINIUM (A1100)	8	SEALING DISK	FIBER 'H'
3	HANDLE	CAST IRON	9	STEM	BRASS (B16 - C36000)
4	PACKING NUT	BRASS (B16 - C36000)	10	LOCK NUT	BRASS (B16 - C36000)
5	GLAND RING	BRASS (B16 - C36000)	11	GATE DISK	BRASS (B584 - C85710)
6	GLAND PACKING	BRASS (B16 - C36000)	12	BODY	BRASS (B584 - C85710)

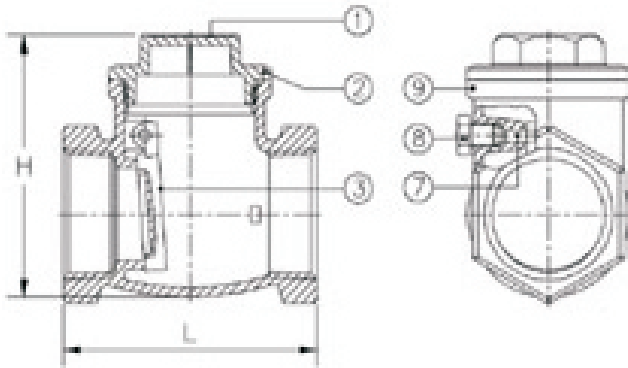


# TECHNICAL SPECIFICATIONS

## BRASS SWING CHECK VALVES 150 WOG

### THREADED (in mm)

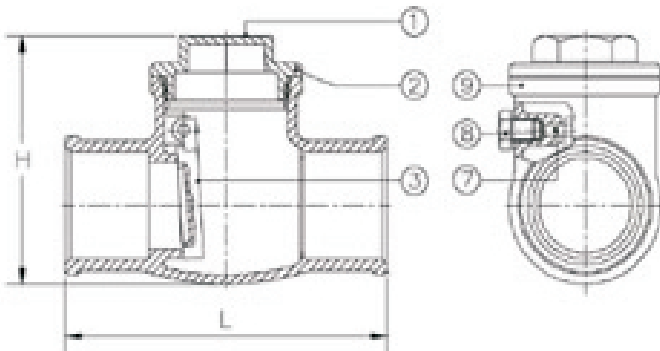
#BMI	Size	L	H
14304	1/2"	53.1	52.2
14305	3/4"	60.2	58.1
14306	1"	66.7	65.2
14307	1 1/4"	79.9	78.9
14308	1 1/2"	90.1	86.7
14309	2"	106	105.8
14310	2 1/2"	130.3	126.1
14311	3"	146.2	157
14312	4"	171.2	177.4



Action: Swing check brass to brass  
Standard: Threaded ends / ANSI/ASME B1.20.1  
Pressure Rating: 150 WOG non shock (water, oil, gas)

### C x C (in mm)

#BMI	Size	L	H
14404	1/2"	62	54
14405	3/4"	81	58.5
14406	1"	89	66.5
14407	1 1/4"	109	78
14408	1 1/2"	123	87
14409	2"	141	107



Action: Swing check brass to brass  
Standard: Solder ends / ANSI B16.18  
Pressure Rating: 150 WOG non shock (water, oil, gas)

#	Piece	MATERIAL
1	NAME PLATE	ALUMINIUM (A1100)
2	CAP	BRASS (ASTM-UNS B584 C85710)
3	DISC	BRASS (ASTM-UNS B584 C85710)
	DISC HOLDER	BRASS (ASTM-UNS B584 C85710)
4	SEAT PACKING	RUBBER NBR (SAE NO 1052#)
		TEFLON (POLYFLON PTFE M-392)
7	PIN	BRASS (ASTM-UNS B124 C37700)
8	LOCK BOLT	BRASS (ASTM-UNS B16 C36000)
9	BODY	BRASS (ASTM-UNS B584 C85710)