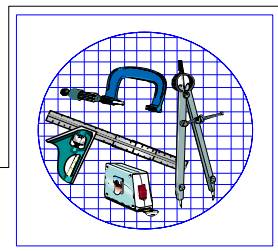


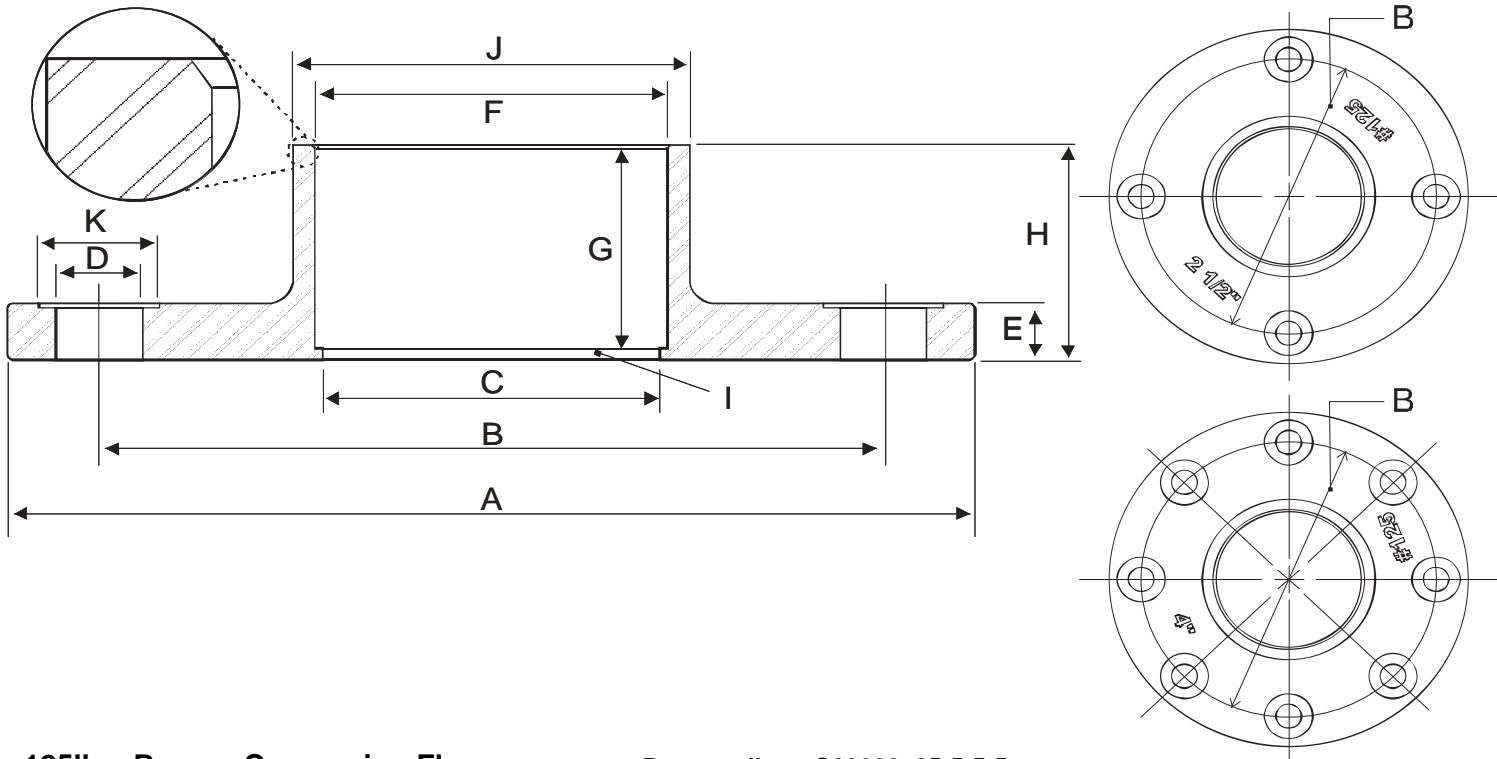


Head Office
 3437, Grande Allee Blvd.
 Boisbriand, Quebec J7H 1H5
 1-800-361-1452
 (450) 434-1313
 1-800-561-8579
 (450) 434-1314

Branch
 1545, Britannia Road East, Unit 17-22
 Mississauga, Ontario L4W 3C6
 1-877-565-9559
 (905) 565-9559
 1-877-565-9560
 (905) 564-9779



TECHNICAL SPECIFICATIONS



125lbs Bronze Companion Flanges

Bronze alloy: C83600 85-5-5-5

Copper Standard: ANSI B 16.18 - 1984

All dimensions in mm

Part #	Size	Holes	A	B	C	D	E	F		G	H	I	J	K
								Min.	Max.					
21606	1"	4	108.00	79.24	25.96	15.88	6.57	28.65	28.75	23.00	26.90	3.90	34.50	28
21607	1 1/4"	4	117.50	88.90	32.00	15.88	6.70	35.00	35.10	24.50	28.40	3.90	40.78	28
21608	1 1/2"	4	127.00	98.43	38.10	15.88	8.50	41.35	41.48	28.00	31.50	3.50	49.40	28
21609	2"	4	152.40	120.65	50.29	19.05	10.00	54.05	54.18	34.00	37.80	3.80	62.00	34
21610	2 1/2"	4	177.80	139.70	62.50	19.05	10.50	66.75	66.88	37.50	41.30	3.80	74.80	34
21611	3"	4	190.50	152.40	74.70	19.05	11.00	79.45	79.58	42.00	47.00	5.00	89.50	34
21612	4"	8	228.60	190.50	99.10	19.05	11.00	104.85	104.98	55.00	59.60	4.60	114.90	34
21614	6"	8	279.40	241.30	148.30	22.23	11.34	155.65	155.78	79.00	83.80	4.80	167.70	42

150lbs Bronze Companion Flanges

Bronze alloy: C83600 85-5-5-5

Copper Standard: ANSI B 16.18 - 1984

All dimensions in mm

Part #	Size	Holes	A	B	C	D	E	F		G	H	I	J	K
								Min.	Max.					
21638	1 1/2"	4	127.00	98.43	38.10	15.88	13.84	41.35	41.48	30.80	33.90	3.10	48.75	28
21639	2"	4	152.40	120.65	50.29	19.05	15.00	54.05	54.18	34.00	37.10	3.10	63.00	34
21640	2 1/2"	4	177.80	139.70	62.50	19.05	16.00	66.75	66.88	37.50	40.60	3.10	78.00	34
21641	3"	4	190.50	152.40	74.70	19.05	17.60	79.45	79.58	42.20	45.30	3.10	91.00	34
21642	4"	8	228.60	190.50	99.10	19.05	19.50	104.85	104.98	55.00	58.10	3.10	117.47	34
21644	6"	8	279.40	241.30	149.85	22.23	24.00	155.65	155.78	84.73	87.83	3.10	170.00	42