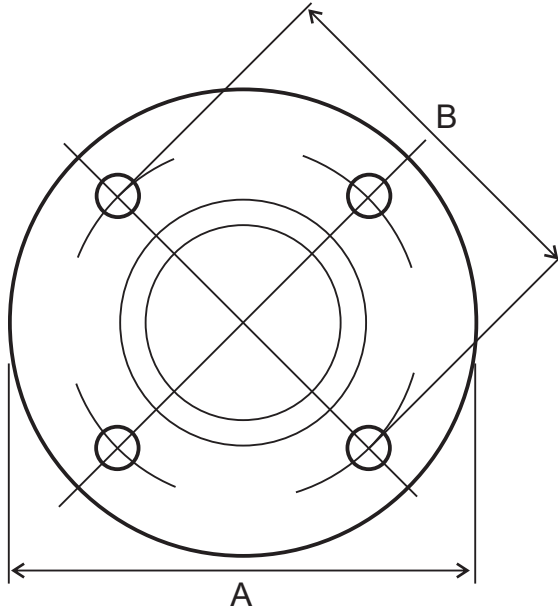


DUCTILE IRON COMPANION FLANGES

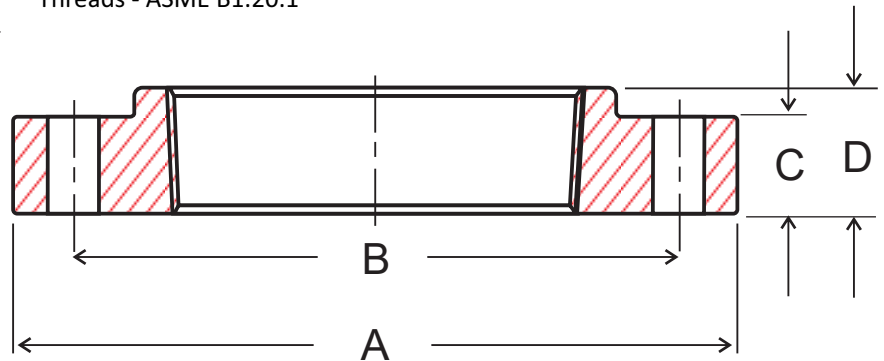


Complies with:

Material - ASTM A536 Grade 65-45-12
 Dimensions - ASME B16.42/AWWA C110
 Coating - Black Electrophoretic
 Coating - Hot Dip Galvanized ASTM A153
 Threads - ASME B1.20.1

Specifications:

Ductile Iron
 Class #150
 Serrated Face
 CRN#



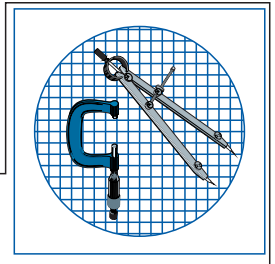
in inches

COMPANION FLANGE	BMI#	BMI#	Thread	A	B	C	D	Bolt Hole	Number	Wgt Lbs
	Black	Galv.	Size					Size	of Bolt	
	16106	16306	1	4.25	3.12	0.56	0.69	φ0.625	4	0.83
	16107	16307	1 1/4	4.62	3.50	0.62	0.81	φ0.625	4	1.08
	16108	16308	1 1/2	5.00	3.88	0.69	0.88	φ0.625	4	1.32
	16109	16309	2	6.00	4.75	0.75	1.00	φ0.75	4	2.15
	16110	16310	2 1/2	7.00	5.50	0.88	1.12	φ0.75	4	3.42
	16111	16311	3	7.50	6.00	0.94	1.19	φ0.75	4	3.91
	16112	16312	4	9.00	7.50	0.94	1.31	φ0.75	8	5.53
	16114	16314	6	11.00	9.50	1.00	1.56	φ0.875	8	7.53
	16116	16316	8	13.50	11.75	1.12	1.75	φ0.875	8	13.02

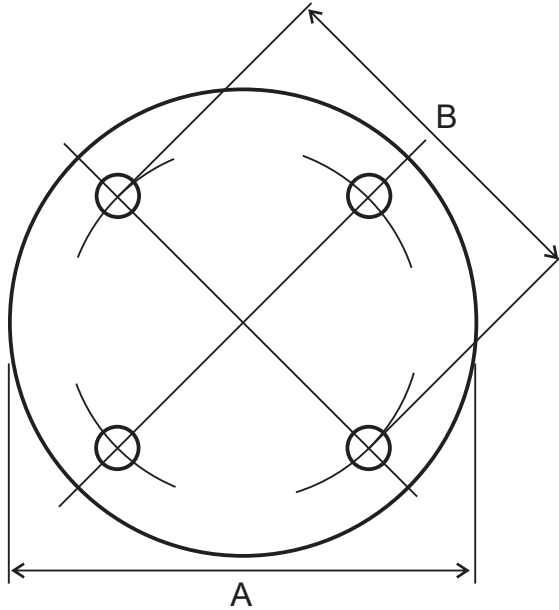
REDUCING COMPANION FLANGE	BMI#	BMI#	Thread	A	B	C	D	Bolt Hole	Number	Wgt Lbs
	Black	Galv.	Size					Size	of Bolt	
	16155	16355	1 1/2	6.00	5.50	0.75	1.00	φ0.75	4	2.26
	16156	16356	1 1/2	7.50	6.00	0.94	1.19	φ0.75	4	4.45
	16159	16359	2	7.00	5.50	0.88	1.12	φ0.75	4	3.54
	16160	16360	2	7.50	6.00	0.94	1.19	φ0.75	4	4.38
	16161	16361	2	9.00	7.50	0.94	1.31	φ0.75	8	6.42
	16162	16362	2	11.00	9.50	1.00	1.56	φ0.875	8	10.63
	16164	16364	2 1/2	7.50	6.00	0.75	1.19	φ0.75	4	4.20
	16165	16365	2 1/2	9.00	7.50	0.94	1.31	φ0.75	8	6.33
	16166	16366	2 1/2	11.00	9.50	1.00	1.56	φ0.875	8	10.54
	16167	16367	3	9.00	7.50	0.94	1.31	φ0.75	8	6.08
	16169	16369	3	11.00	9.50	1.00	1.56	φ0.875	8	10.18
	16172	16372	4	11.00	9.50	1.00	1.56	φ0.875	8	9.46
	16173	16373	4	13.50	11.75	1.12	1.75	φ0.875	8	17.13

**#150
DUCTILE
IRON**





DUCTILE IRON COMPANION FLANGES

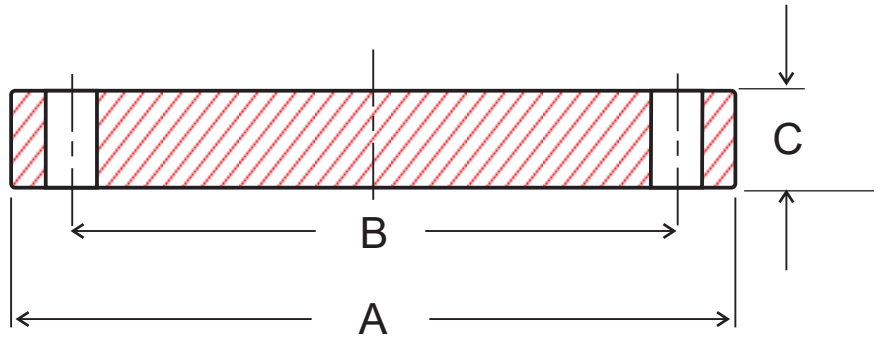


Complies with:

Material - ASTM A536 Grade 65-45-12
 Dimensions - ASME B16.42/AWWA C110
 Coating - Black Electrophoretic

Specifications:

Ductile Iron
 Class #150
 Serrated Face
 CRN#



in inches

BMI# Black	Size	A	B	C	Bolt Hole Size	Number of Bolt Holes	Wgt Lbs
16208	1 1/2	5.00	3.88	0.69	φ0.625	4	1.47
16209	2	6.00	4.75	0.75	φ0.75	4	2.37
16210	2 1/2	7.00	5.50	0.88	φ0.75	4	4.23
16211	3	7.50	6.00	0.94	φ0.75	4	4.85
16212	4	9.00	7.50	0.94	φ0.75	8	6.53
16214	6	11.00	9.50	1.00	φ0.875	8	10.81
16216	8	13.50	11.75	1.12	φ0.875	8	18.63

BLIND FLANGE

#150 DUCTILE IRON

