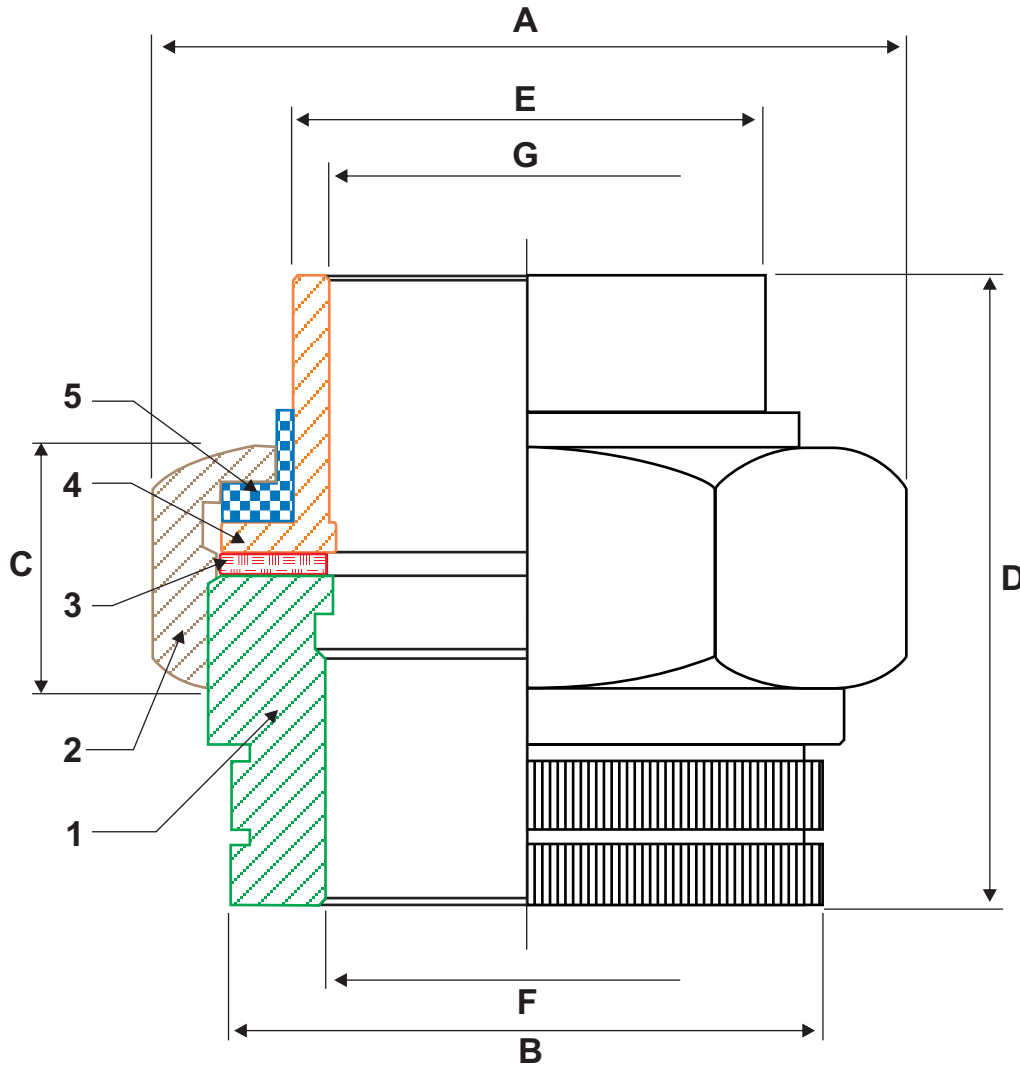


Item# 07504~07523

Description: 1/2"~2" C x F Dielectric Union



BMI #	SIZE	A	B	C	D	E	F	G
07504	1/2"	41.30	26.40	18.28	47.00	20.80	1/2" NPT	16.00 <sup>+ 0.03</sup> <sub>-0.07</sub>
07505	3/4"	47.00	32.00	18.28	51.50	27.17	3/4" NPT	22.30 <sup>+ 0.08</sup> <sub>-0.02</sub>
07506	1"	53.40	39.00	18.28	57.50	33.30	1" NPT	28.70 <sup>+ 0.05</sup> <sub>-0.05</sub>
07507	1 1/4"	65.00	47.20	21.50	64.00	39.87	1 1/4" NPT	35.00 <sup>+ 0.11</sup> <sub>-0.01</sub>
07508	1 1/2"	75.00	54.70	24.60	64.30	46.45	1 1/2" NPT	41.40 <sup>+ 0.09</sup> <sub>-0.06</sub>
07509	2"	95.30	69.40	27.00	72.50	60.45	2" NPT	54.10 <sup>+ 0.09</sup> <sub>-0.06</sub>
07523	1/2" X 3/4"	47.00	32.00	18.28	48.10	20.80	3/4" NPT	16.00 <sup>+ 0.03</sup> <sub>-0.07</sub>

Working Pressure & Temperature

Reg: 80°C (156°F) ~ 250 psi (17.24 bar)

Max: 150°C (302°F) ~ 50 psi (3.45 bar)

Standards for parts

Steel: ASTM A108

Brass: ASTM B16

Zinc Plated: ASTM B633

Threads: ASME/ANSI B1.20.1

2007-07-30

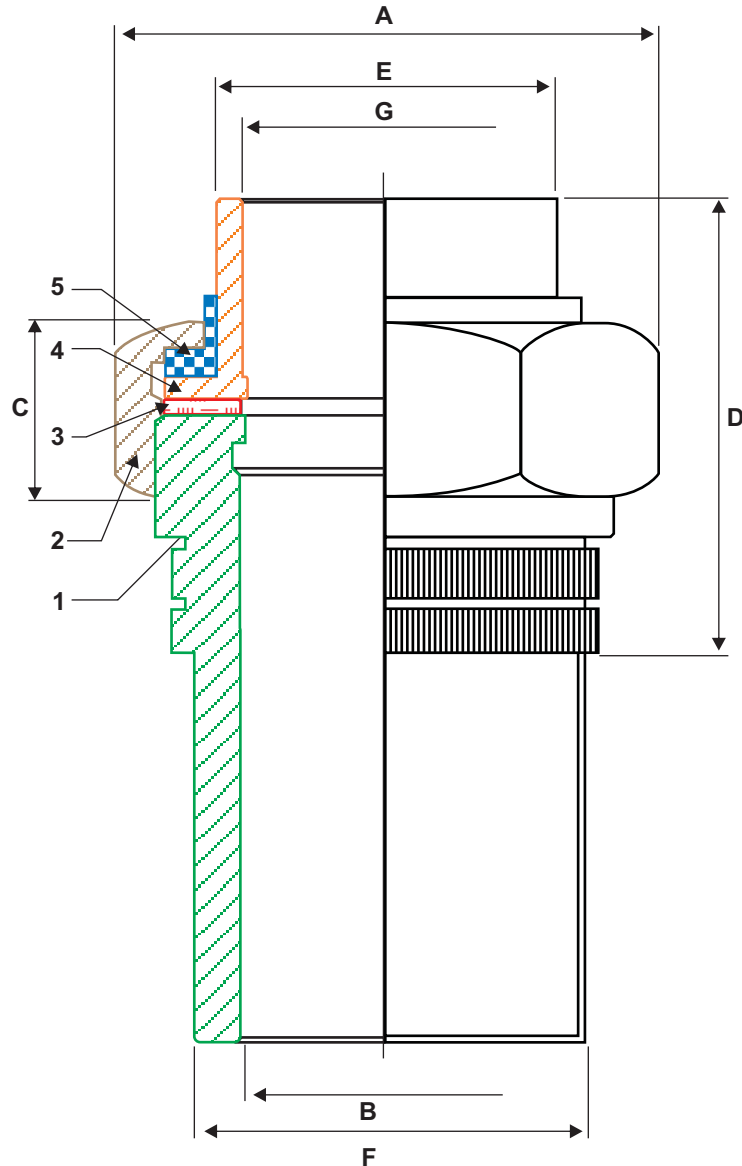


3437, GRANDE ALLEE BL., BOISBRIAND  
QUEBEC, CANADA J7H 1H5  
www.bmicanada.com

#	PART	MATERIAL
1	THREADED CONNECTOR	ZINC PLATED STEEL
2	HEXAGON NUT	ZINC PLATED STEEL
3	GASKET	ETPV(Viton®) RUBBER
4	SOLDER CONNECTOR	BRASS
5	INSULATOR	NYLON

**Item#** 07534~07535

**Description:** 1/2"~3/4" C x M Dielectric Union



BMI #	Size	A	B	C	D	E	F	G
07534	1/2"	41.50	20.80	18.28	71.10	26.40	1/2" NPT	16.00 <sup>+ 0.03</sup> -0.07
07535	3/4"	47.00	27.17	18.28	73.50	31.30	3/4" NPT	22.30 <sup>+ 0.08</sup> -0.02

Working Pressure & Temperature

**Reg: 80°C (156°F) ~ 250 psi (17.24 bar)**

**Max: 150°C (302°F) ~ 50 psi (3.45 bar)**

Standards for parts

**Steel: ASTM A108**

**Brass: ASTM B16**

**Zinc Plated: ASTM B633**

**Threads: ASME/ANSI B1.20.1**

2007-07-30

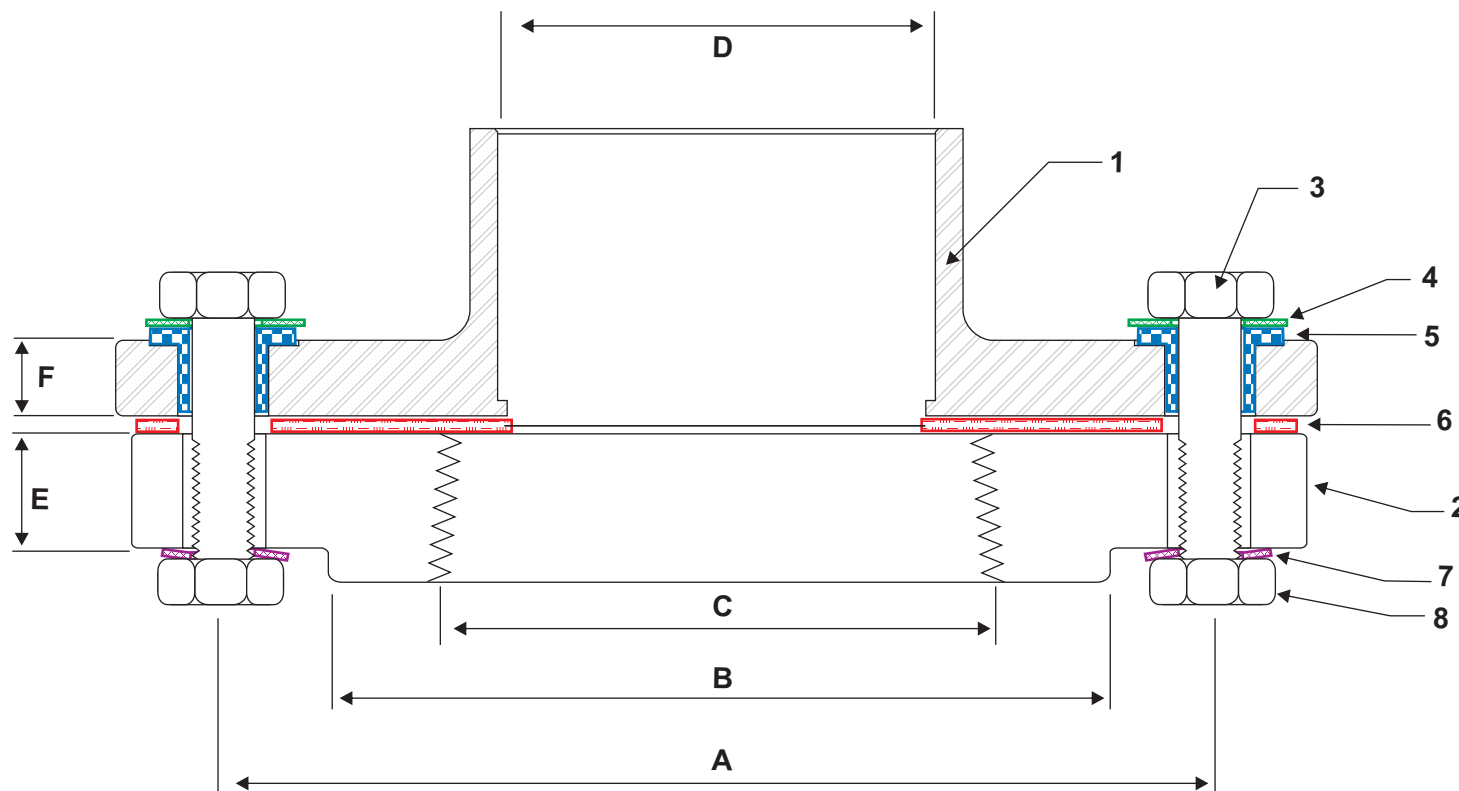
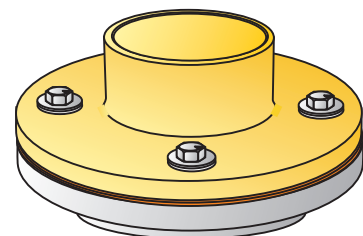
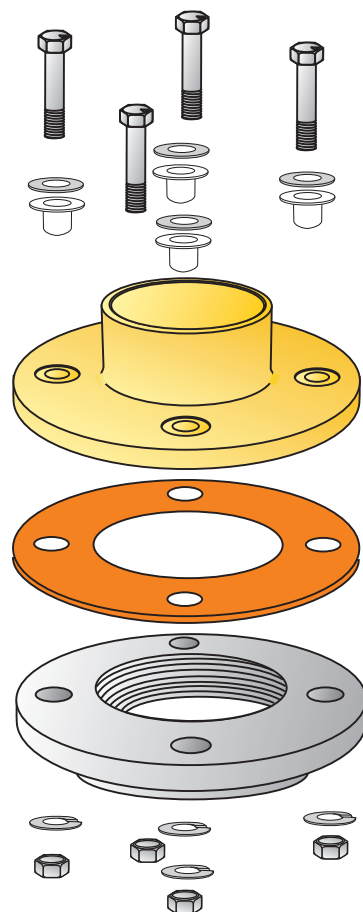


3437, GRANDE ALLEE BL., BOISBRIAND  
QUEBEC, CANADA J7H 1H5  
www.bmicanada.com

#	PART	MATERIAL
1	THREADED CONNECTOR	ZINC PLATED STEEL
2	HEXAGON NUT	ZINC PLATED STEEL
3	GASKET	ETPV(Viton®) RUBBER
4	SOLDER CONNECTOR	BRASS
5	INSULATOR	NYLON

**Item#** 07550~07552

**Description:** 2 1/2" ~ 4" C x F Dielectric Flange Union



Standards for parts  
**Solder ends:** ASTM B16.18  
**Threads:** ASME/ANSI B1.20.1  
**Flanges:** ASME/ANSI B16.5  
**Copper alloy:** ASTM B584  
**Pressure class:** #125

Dimensions: mm

BMI #	Size	A	B	C	D	E	F
07550	2 1/2"	14.05	91.33	2 1/2" NPT	66.75~66.88	19.35	9.38
07551	3"	15.13	108.95	3" NPT	79.45~79.58	20.69	10.33
07552	4"	19.00	134.24	4" NPT	104.85~104.98	24.43	12.00

#	PARTS	MATERIAL
1	SOLDER FLANGE	BRONZE 85-5-5-5 (C83600)
2	THREADED FLANGE	HOT DIP GALV. CAST IRON
3	BOLT	ZINC PLATED STEEL
4	FLAT WASHER	ZINC PLATED STEEL
5	INSULATOR BUSHING	PLASTIC
6	SEALING GASKET	NBR RUBBER
7	LOCK WASHER	ZINC PLATED STEEL
8	NUT	ZINC PLATED STEEL

2007-08-29



3437, GRANDE ALLEE BL., BOISBRIAND  
 QUEBEC, CANADA J7H 1H5  
 www.bmicanada.com