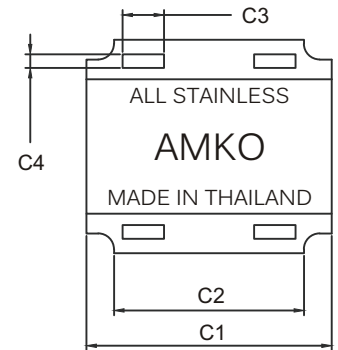
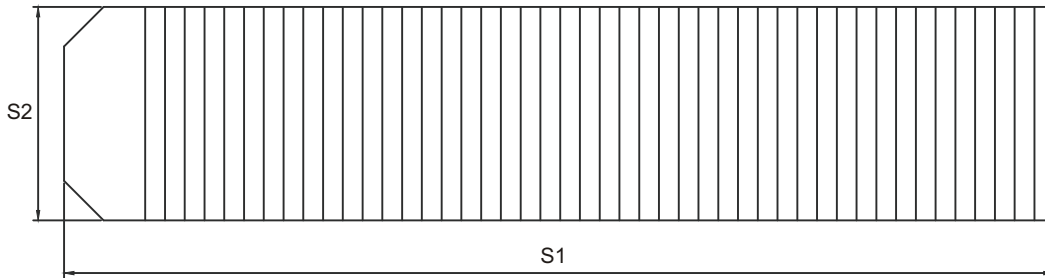
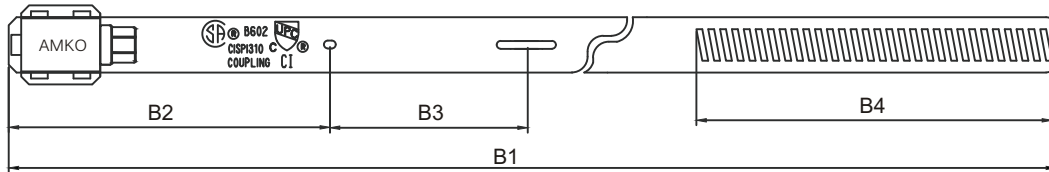
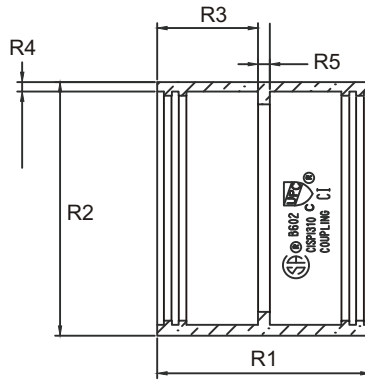
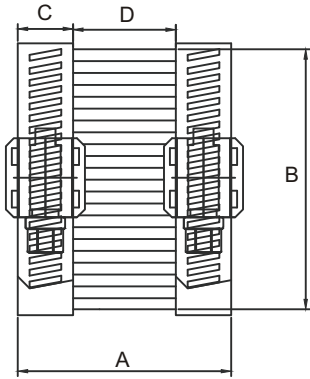


# REGULAR NO-HUB COUPLINGS



LIST OF MATERIALS		
PART	GAUGE	MATERIAL
SCREW HOUSING	0.034	S.S.304
SCREW	5/16" HEX.	S.S.304
SHIELD	0.007	S.S.304
BAND	0.024	S.S.304
RIVET	-	S.S.304
GASKET	-	ASTM C564

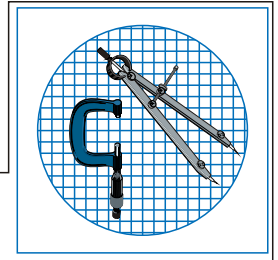


Complies with:

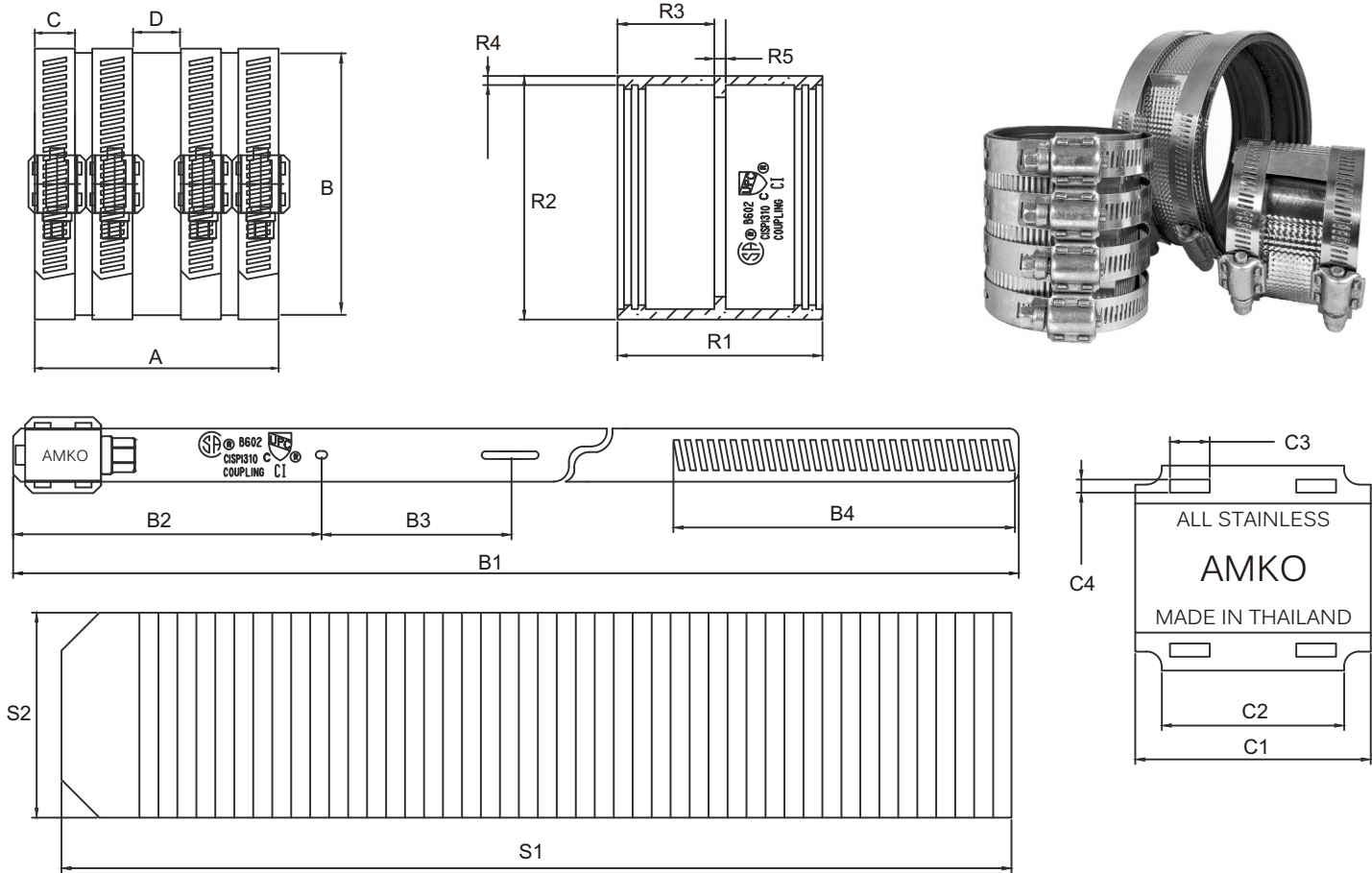
- ANSI/ASTM A888
- ANSI/ASTM C1277
- CISPI 310
- ANSI/ASTM C564
- CAN/ULC S-102

- 5/16" hex head screws  
60 inches/lb of torque

STANDARD DUTY NO-HUB COUPLINGS, DIMENSIONS AND INFORMATIONS (inches)																					
SIZE	BMI#	Bands	A	B	C	D	R1	R2	R3	R4	R5	B1	B2	B3	B4	S1	S2	C1	C2	C3	C4
1 1/2"	18908	2	2.13	2.20	0.55	1.02	2.13	2.13	1.00	0.09	0.12	8.31	2.40	2.76	2.68	7.44	2.13	0.79	0.63	0.17	0.05
2"	18909	2	2.13	2.60	0.55	1.02	2.13	2.53	1.00	0.09	0.12	10.47	2.40	2.76	2.68	9.09	2.13	0.79	0.63	0.17	0.05
3"	18911	2	2.13	3.72	0.55	1.02	2.13	3.53	1.00	0.09	0.12	13.50	2.40	2.76	2.68	12.32	2.13	0.79	0.63	0.17	0.05
4"	18912	2	2.13	4.72	0.55	1.02	2.13	4.53	1.00	0.09	0.12	16.61	4.61	3.70	2.68	15.83	2.13	0.79	0.63	0.17	0.05
5"	18913	4	2.99	5.72	0.55	0.26	2.99	5.53	1.44	0.09	0.12	20.51	2.40	2.76	2.68	20.00	2.99	0.79	0.63	0.17	0.05
6"	18914	4	2.99	6.72	0.55	0.26	2.99	6.53	1.44	0.09	0.12	23.07	2.40	2.76	2.68	22.70	2.99	0.79	0.63	0.17	0.05
8"	18918	4	4.00	8.72	0.55	1.26	4.00	8.54	1.94	0.09	0.12	29.76	4.57	6.54	2.68	29.07	4.00	0.79	0.63	0.17	0.05
10"	18919	4	4.00	10.73	0.55	1.26	4.00	10.54	1.94	0.09	0.12	36.26	4.61	6.54	5.35	36.42	4.00	0.79	0.63	0.17	0.05
12"	18920	6	5.51	12.81	0.55	0.47	5.51	12.62	2.70	0.09	0.12	42.72	4.61	12.68	5.35	42.72	5.51	0.79	0.63	0.17	0.05
15"	18920	6	5.51	16.03	0.55	0.47	5.51	15.84	2.70	0.09	0.12	52.56	4.61	12.68	5.35	52.56	5.51	0.79	0.63	0.17	0.05
2" x 1 1/2"	18940	2	2.13	2.72	0.55	1.02	2.13	2.53	1.00	0.09	0.12	10.47	2.40	2.76	2.68	9.09	2.13	0.79	0.63	0.17	0.05
3" x 2"	18952	2	2.13	3.72	0.55	1.02	2.13	3.53	1.00	0.09	0.12	13.50	2.40	2.76	2.68	12.32	2.13	0.79	0.63	0.17	0.05
4" x 3"	18956	2	2.13	4.72	0.55	1.02	2.13	4.53	1.00	0.09	0.12	16.61	4.57	3.70	2.68	15.83	2.13	0.79	0.63	0.17	0.05
4" x 2"	18958	2	2.13	4.72	0.55	1.02	2.13	4.53	1.00	0.09	0.12	16.61	4.57	3.70	2.68	15.83	2.13	0.79	0.63	0.17	0.05



# EXTRA HEAVY NO-HUB COUPLINGS



LIST OF MATERIALS		
PART	GAUGE	MATERIAL
SCREW HOUSING	0.034	S.S.304
SCREW	3/8" HEX.	S.S.304
SHIELD	0.008	S.S.304
BAND	0.024	S.S.304
RIVET	-	S.S.304
GASKET	-	NBR C564



Complies with:

- ANSI/ASTM A888
- ANSI/ASTM C1277
- ANSI/ASTM C1540
- CISPI 310
- ANSI/ASTM C564
- CAN/ULC S-102

- 3/8" hex head screws  
80 inches/lb of torque

HEAVY DUTY NO-HUB COUPLINGS, DIMENSIONS AND INFORMATIONS (inches)																						
SIZE	BMI#	Bands	A	B	C	D	R1	R2	R3	R4	R5	B1	B2	B3	B4	S1	S2	C1	C2	C3	C4	
2"	18969	4	2.99	2.60	0.55	0.26	2.99	2.53	1.44	0.09	0.12	10.47	2.40	2.76	2.68	9.09	2.99	0.79	0.63	0.17	0.05	
3"	18971	4	2.99	3.72	0.55	0.26	2.99	3.53	1.44	0.09	0.12	13.50	2.40	2.76	2.68	12.32	2.99	0.79	0.63	0.17	0.05	
4"	18972	4	2.99	4.72	0.55	0.26	2.99	4.53	1.44	0.09	0.12	16.61	4.61	3.70	2.68	15.83	2.99	0.79	0.63	0.17	0.05	
5"	18973	6	4.00	5.72	0.55	0.26	4.00	5.53	1.94	0.09	0.12	20.51	2.40	2.76	2.68	20.00	4.00	0.79	0.63	0.17	0.05	
6"	18974	6	4.00	6.72	0.55	0.26	4.00	6.53	1.94	0.09	0.12	23.07	2.40	2.76	2.68	22.70	4.00	0.79	0.63	0.17	0.05	
8"	18975	6	4.00	8.72	0.55	0.26	4.00	8.54	1.94	0.09	0.12	29.76	4.57	6.54	2.68	29.07	4.00	0.79	0.63	0.17	0.05	
10"	18976	6	4.00	10.73	0.55	0.26	4.00	10.54	1.94	0.09	0.12	36.26	4.61	6.54	5.35	36.42	4.00	0.79	0.63	0.17	0.05	