

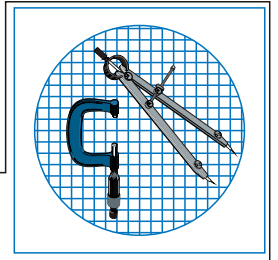


Montreal ~ Toronto ~ Vancouver ~ Cincinnati

www.bmicanada.com

1-800-361-1452

1-800-561-8579



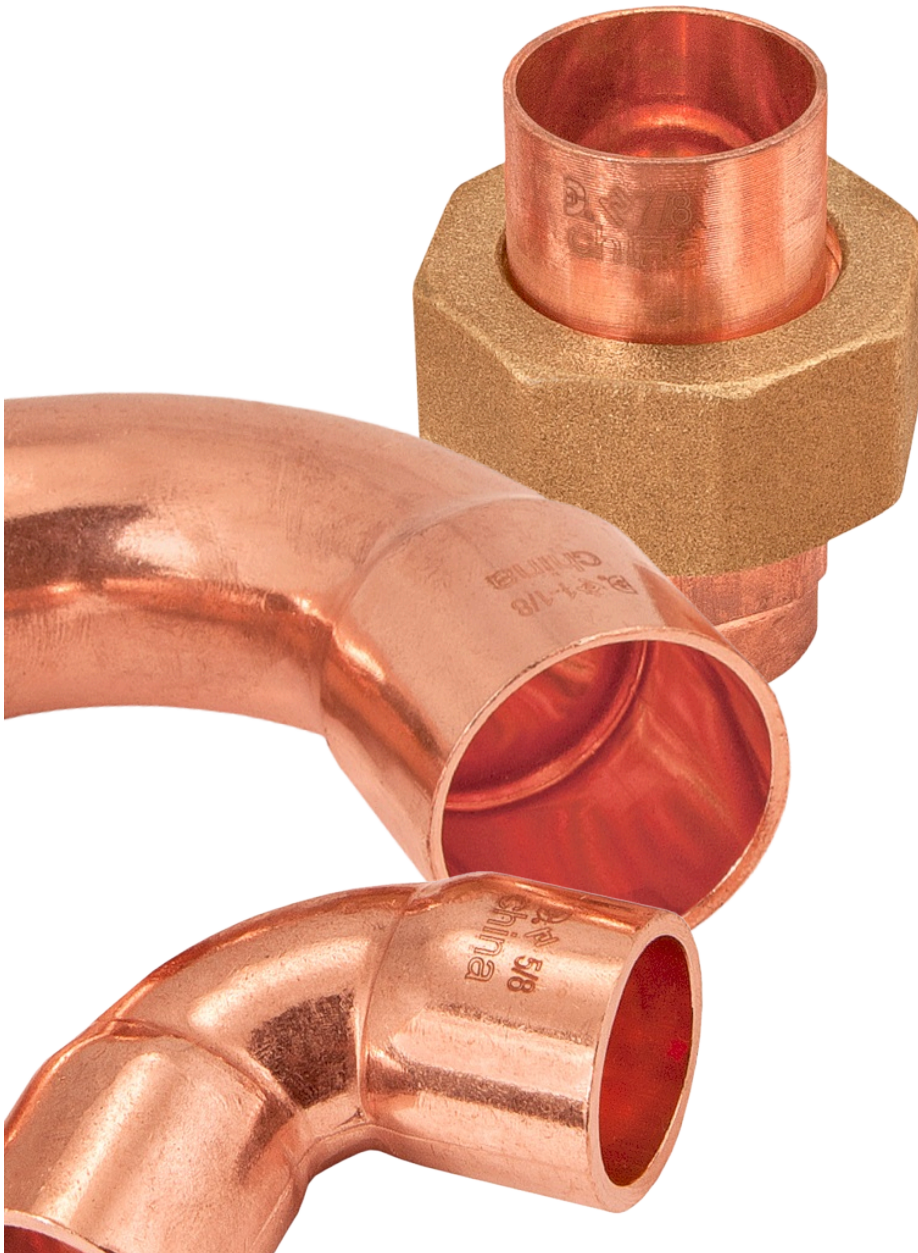
INFORMATION TECHNIQUE

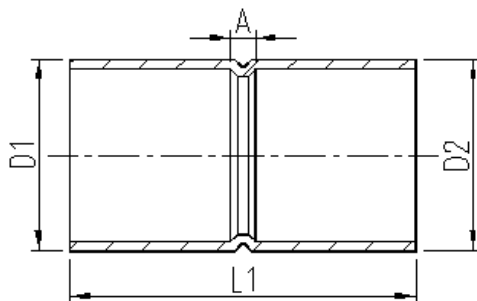
ACR Plus

C **RU** US
700 PSI



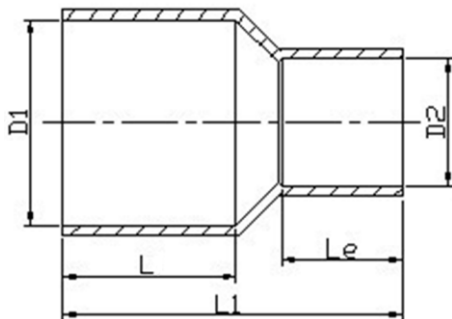
Raccords de cuivre ouvré de type 'K' extralourd





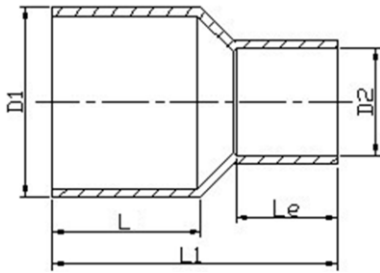
Manchons avec ligne d'arrêt

#BMI	Taille D.E.	A (mm)	L1 (mm)	D1 (mm)	D1 Mur	D2 (mm)	D2 Mur	Kg
43001	1/4	2.2	16.3	6.40~6.50	0.75	6.40~6.50	0.75	0.003
43014	5/16	2.2	19.3	7.99~8.09	0.70	7.99~8.09	0.70	0.004
43002	3/8	2.2	19.3	9.58~9.68	0.75	9.58~9.68	0.75	0.004
43003	1/2	2.2	22.9	12.75~12.85	0.75	12.75~12.85	0.75	0.007
43004	5/8	2.2	29.1	15.93~16.03	0.90	15.93~16.03	0.90	0.014
43013	3/4	2.2	35.1	19.10~19.20	0.90	19.10~19.20	0.90	0.020
43005	7/8	2.2	41.9	22.28~22.38	1.35	22.28~22.38	1.35	0.042
43006	1-1/8	2.2	50.4	28.65~28.75	1.50	28.65~28.75	1.50	0.069
43007	1-3/8	2.2	53.4	35.00~35.10	1.25	35.00~35.10	1.25	0.075
43008	1-5/8	2.2	59.6	41.35~41.48	1.30	41.35~41.48	1.30	0.111
43009	2-1/8	2.2	72.2	54.05~54.18	1.55	54.05~54.18	1.55	0.193
43010	2-5/8	4.8	82.2	66.75~66.88	1.85	66.75~66.88	1.85	0.328
43011	3-1/8	4.8	92.0	79.45~79.58	2.00	79.45~79.58	2.00	0.467
43012	4-1/8	4.8	117.6	104.85~104.98	2.55	104.85~104.98	2.55	0.950



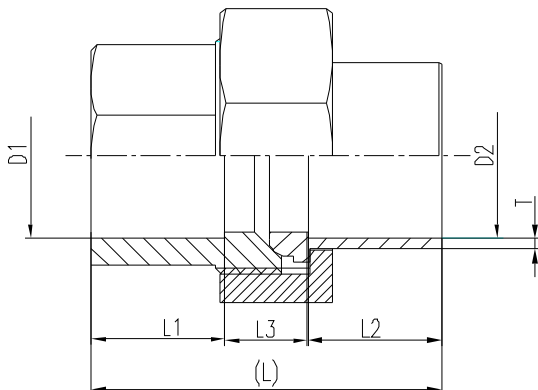
Manchons réduit

#BMI	Taille D.E.	Épaisseur	D1 (mm)	L (mm)	D2 (mm)	Le (mm)	L1	Kg
43015	3/8 x 1/4	0.8	9.58~9.69	7.9~9.2	6.40~6.51	6.4~7.7	19.1~21.6	0.005
43016	1/2 x 3/8	0.8	12.75~12.87	9.7~11.0	9.58~9.69	7.9~9.2	23.2~25.7	0.008
43018	3/4 x 5/8	1.0	19.10~19.22	15.7~17.2	15.93~16.05	12.7~14.2	36.0~39.0	0.021
43019	5/8 x 1/2	1.0	15.93~16.05	12.7~14.2	12.75~12.87	9.7~11.0	28.7~31.2	0.015
43020	5/8 x 3/8	1.0	15.93~16.05	12.7~14.2	9.58~9.69	7.9~9.2	27.6~30.1	0.015
43022	3/4 x 1/2	1.0	19.10~19.22	15.7~17.2	12.75~12.87	9.7~11.0	33.0~36.0	0.021
43062	7/8 x 3/4	1.2	22.28~22.40	19.1~20.6	19.10~19.22	15.7~17.2	40.4~43.4	0.033
43024	7/8 x 1/2	1.2	22.28~22.40	19.1~20.6	12.75~12.87	9.7~11.0	39.5~42.5	0.028
43025	7/8 x 3/8	1.2	22.28~22.40	19.1~20.6	9.58~9.69	7.9~9.2	36.1~39.1	0.025
43027	1-1/8 x 7/8	1.4	28.65~28.80	23.1~25.1	22.28~22.40	19.1~20.6	51.4~54.4	0.055
43063	1-1/8 x 3/4	1.4	28.65~28.80	23.1~25.1	19.10~19.22	15.7~17.2	48.4~51.4	0.052
43032	1-3/8 x 7/8	1.6	35.00~35.15	24.6~26.6	22.28~22.40	19.1~20.6	55.0~59.0	0.078
43035	1-5/8 x 1-3/8	1.7	41.35~41.53	27.7~29.7	35.00~35.15	24.6~26.6	63.0~67.0	0.130
43036	1-5/8 x 1-1/8	1.7	41.35~41.53	27.7~29.7	28.65~28.80	23.1~25.1	63.1~67.1	0.112
43038	1-5/8 x 5/8	1.7	41.35~41.53	27.7~29.7	15.93~16.05	12.7~14.2	58.6~62.6	0.095
43040	2-1/8 x 1-5/8	1.7	54.05~54.25	34.0~36.0	41.35~41.53	27.7~29.7	76.0~80.0	0.180
43041	2-1/8 x 1-3/8	1.7	54.05~54.25	34.0~36.0	35.00~35.15	24.6~26.6	74.0~78.0	0.174
43042	2-1/8 x 1-1/8	1.7	54.05~54.25	34.0~36.0	28.65~28.80	23.1~25.1	75.5~79.5	0.166
43047	2-5/8 x 1-5/8	2.0	66.75~67.00	37.3~40.1	41.35~41.53	27.7~29.7	87.5~91.5	0.308
43056	4-1/8 x 3-1/8	2.8	104.85~105.10	54.9~57.9	79.45~79.70	42.2~45.0	123.2~128.8	0.920



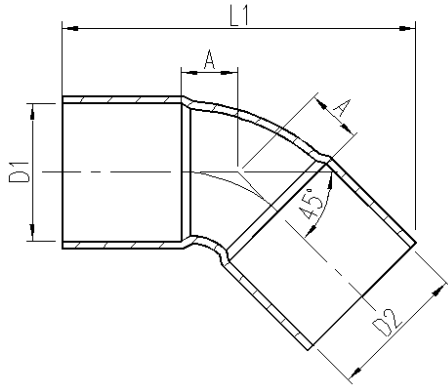
Réduits Racc. x C

#BMI	Taille D.E.	Épaisseur	D1(mm)	L(mm)	D2(mm)	Le(mm)	L1	Kg
43115	3/8 x 1/4	0.8	9.44~9.55	9.7~11.0	6.40~6.51	6.4~7.7	19.8~22.3	0.004
43116	1/2 x 3/8	0.8	12.61~12.73	11.2~12.5	9.58~9.69	7.9~9.2	22.8~25.3	0.007
43117	1/2 x 1/4	0.8	12.61~12.73	11.2~12.5	6.40~6.51	6.4~7.7	23.8~26.3	0.007
43118	3/4 x 5/8	1.0	18.96~19.08	17.5~19.0	15.93~16.05	12.7~14.2	34.7~37.7	0.019
43121	3/4 x 1/2	1.0	18.96~19.08	17.5~19.0	12.75~12.87	9.7~11.0	35.5~38.5	0.017
43119	5/8 x 1/2	1.0	15.78~15.90	14.2~15.7	12.75~12.87	9.7~11.0	29.6~32.1	0.012
43120	5/8 x 3/8	1.0	15.78~15.90	14.2~15.7	9.58~9.69	7.9~9.2	29.3~31.8	0.012
43162	7/8 x 3/4	1.2	22.13~22.25	20.6~22.1	19.10~19.22	15.7~17.2	41.5~44.5	0.030
43124	7/8 x 1/2	1.2	22.13~22.25	20.6~22.1	12.75~12.87	9.7~11.0	38.5~41.5	0.030
43125	7/8 x 3/8	1.2	22.13~22.25	20.6~22.1	9.58~9.69	7.9~9.2	37.8~40.8	0.029
43127	1-1/8 x 7/8	1.4	28.48~28.63	24.6~26.6	22.28~22.40	19.1~20.6	51.5~54.5	0.052
43128	1-1/8 x 5/8	1.4	28.48~28.63	24.6~26.6	15.93~16.05	12.7~14.2	46.3~49.3	0.048
43163	1-1/8 x 3/4	1.4	28.48~28.63	24.6~26.6	19.10~19.22	15.7~17.2	47.0~50.0	0.047
43129	1-1/8 x 1/2	1.4	28.48~28.63	24.6~26.6	12.75~12.87	9.7~11.0	44.5~47.5	0.049
43131	1-3/8 x 1-1/8	1.6	34.83~34.98	26.2~28.2	28.65~28.80	23.1~25.1	55.5~59.5	0.079
43135	1-5/8 x 1-3/8	1.7	41.15~41.33	29.5~31.5	35.00~35.15	24.6~26.6	62.0~66.0	0.107
43136	1-5/8 x 1-1/8	1.7	41.15~41.33	29.5~31.5	28.65~28.80	23.1~25.1	64.0~68.0	0.109
43137	1-5/8 x 7/8	1.7	41.15~41.33	29.5~31.5	22.28~22.40	19.1~20.6	61.0~65.0	0.105
43138	1-5/8 x 5/8	1.7	41.15~41.33	29.5~31.5	15.93~16.05	12.7~14.2	58.0~62.0	0.105
43140	2-1/8 x 1-5/8	1.7	53.83~54.03	35.8~37.8	41.35~41.53	27.7~29.7	76.0~80.0	0.190
43141	2-1/8 x 1-3/8	1.7	53.83~54.03	35.8~37.8	35.00~35.15	24.6~26.6	73.0~77.0	0.168
43142	2-1/8 x 1-1/8	1.7	53.83~54.03	35.8~37.8	28.65~28.80	23.1~25.1	77.0~81.0	0.168
43143	2-1/8 x 7/8	1.7	53.83~54.03	35.8~37.8	22.28~22.40	19.1~20.6	74.0~78.0	0.175
43147	2-5/8 x 1-5/8	2.0	66.48~66.73	38.9~41.7	41.35~41.53	27.7~29.7	84.5~88.5	0.272
43149	2-5/8 x 1-1/8	2.0	66.48~66.73	38.9~41.7	28.65~28.80	23.1~25.1	87.0~91.0	0.250
43151	3 1/8 x 2-5/8	2.2	79.18~79.43	43.7~46.5	66.75~67.00	37.3~40.1	95.1~100.7	0.410
43152	3 1/8 x 2-1/8	2.2	79.18~79.43	43.7~46.5	54.05~54.25	34.0~36.0	96.7~102.3	0.410
43156	4-1/8 x 3 1/8	2.8	104.54~104.83	56.4~59.4	79.45~79.70	42.2~45.0	119.0~124.8	0.900



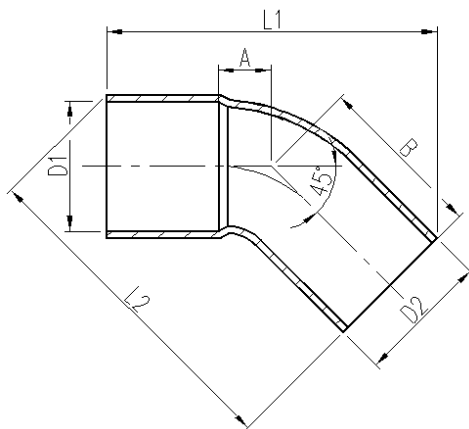
Unions

#BMI	Taille D.E.	D1(mm)	L1(mm)	D2(mm)	L2(mm)	L3(mm)	T(mm)	Kg
43103	1/2	12.75-12.85	9.7-11.0	12.75-12.85	9.7-11.0	9.5	0.9	0.060
43104	5/8	15.93-16.03	12.7-14.2	15.93-16.03	12.7-14.2	12.5	1.0	0.065
43105	7/8	22.28-22.38	19.1-20.6	22.28-22.38	19.1-20.6	12.5	1.3	0.135
43106	1-1/8	28.65-28.75	23.1-25.1	28.65-28.75	23.1-25.1	14.5	1.5	0.233
43107	1-3/8	35.00-35.10	24.6-26.6	35.00-35.10	24.6-26.6	13.0	1.5	0.350
43108	1-5/8	41.35-41.48	27.7-29.7	41.35-41.48	27.7-29.7	14.0	1.5	0.300



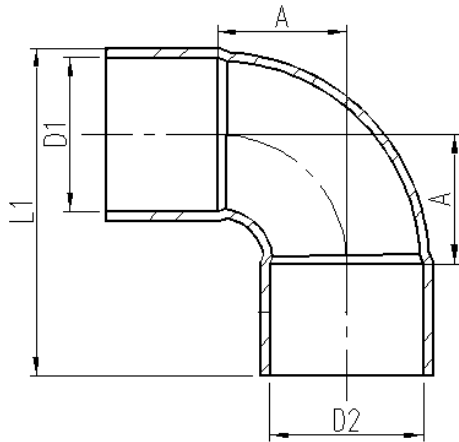
Coudes 45°

#BMI	Taille D.E.	A (mm)	L1 (mm)	D1 (mm)			D2 (mm)			Kg
				Épaisseur	Diamètre	Profondeur	Épaisseur	Diamètre	Profondeur	
43201	1/4	4.6	22.9	0.85	6.40~6.50	6.4~7.7	0.85	6.40~6.50	6.4~7.7	0.004
43202	3/8	4.6	26.5	1.40	9.58~9.68	7.9~9.2	1.40	9.58~9.68	7.9~9.2	0.006
43203	1/2	5.3	31.9	0.85	12.75~12.85	9.7~11.0	0.85	12.75~12.85	9.7~11.0	0.015
43204	5/8	6.8	40.9	1.45	15.93~16.03	12.7~14.2	1.45	15.93~16.03	12.7~14.2	0.017
43213	3/4	8.0	49.3	1.05	19.10~19.20	15.7~17.2	1.05	19.10~19.20	15.7~17.2	0.031
43205	7/8	9.1	58.2	1.15	22.28~22.38	19.1~20.6	1.15	22.28~22.38	19.1~20.6	0.047
43206	1-1/8	11.9	72.7	1.35	28.65~28.75	23.1~25.1	1.35	28.65~28.75	23.1~25.1	0.086
43207	1-3/8	13.8	80.7	1.45	35.00~35.10	24.6~26.6	1.45	35.00~35.10	24.6~26.6	0.126
43208	1-5/8	16.4	92.8	1.45	41.35~41.48	27.7~29.7	1.45	41.35~41.48	27.7~29.7	0.170
43209	2-1/8	16.6	108.4	1.70	54.05~54.18	34.0~36.0	1.70	54.05~54.18	34.0~36.0	0.273
43210	2-5/8	23.6	131.2	1.80	66.75~66.88	37.3~40.1	1.80	66.75~66.88	37.3~40.1	0.500
43211	3-1/8	23.8	144.8	2.10	79.45~79.58	42.2~45.0	2.10	79.45~79.58	42.2~45.0	0.731
43212	4-1/8	32.0	189.5	2.50	104.85~104.98	54.9~57.9	2.50	104.85~104.98	54.9~57.9	1.570



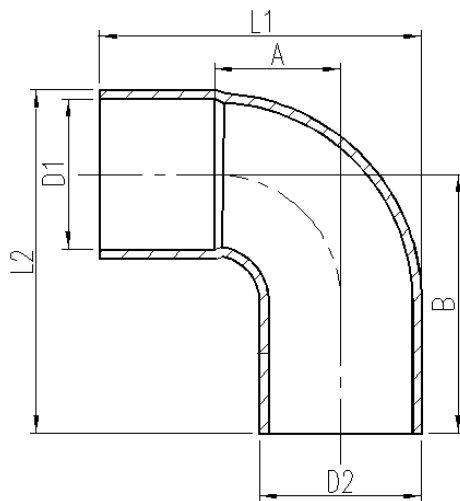
Coudes 45° Racc. x C

#BMI	Taille D.E.	A (mm)	B (mm)	L1 (mm)	L2 (mm)	D1 (mm)			D2 (mm)		
						Épaisseur	Diamètre	Profondeur	Épaisseur	Diamètre	Profondeur
43251	1/4	4.6	13.1	23.1	24.20	0.85	6.40~6.50	6.4~7.7	0.85	6.30~6.38	7.9~9.2
43252	3/8	4.8	14.3	26.8	27.80	1.40	9.58~9.68	7.9~9.2	1.40	9.47~9.55	9.7~11.0
43253	1/2	5.2	16.8	31.8	33.10	0.85	12.75~12.85	9.7~11.0	0.85	12.62~12.73	11.2~12.5
43254	5/8	6.8	20.3	40.1	41.00	1.45	15.93~16.03	12.7~14.2	1.45	15.80~15.90	14.2~15.7
43282	3/4	8.0	25.3	49.0	50.20	1.05	19.10~19.20	15.7~17.2	1.05	18.97~19.08	17.5~19.0
43255	7/8	9.1	29.3	57.5	58.50	1.15	22.28~22.38	19.1~20.6	1.15	22.15~22.25	20.6~22.1
43256	1-1/8	12.0	35.2	71.1	71.90	1.35	28.65~28.75	23.1~25.1	1.35	28.50~28.63	24.6~26.6
43257	1-3/8	13.0	41.2	80.1	81.90	1.45	35.00~35.10	24.6~26.6	1.45	34.85~34.98	26.2~28.2
43258	1-5/8	14.7	46.3	90.7	92.80	1.45	41.35~41.48	27.7~29.7	1.45	41.17~41.33	29.5~31.5
43259	2-1/8	16.5	57.6	111.3	114.30	1.70	54.05~54.18	34.0~36.0	1.70	53.87~54.03	35.8~37.8
43260	2-5/8	23.0	65.1	131.3	133.80	1.80	66.75~66.88	37.3~40.1	1.80	66.57~66.73	38.9~41.7
43261	3-1/8	23.0	70.0	143.2	146.30	2.10	79.45~79.58	42.2~45.0	2.10	79.27~79.43	43.7~46.5
43262	4-1/8	34.5	94.0	193.3	196.30	2.50	104.85~104.98	54.9~57.9	2.50	104.67~104.83	56.4~59.4



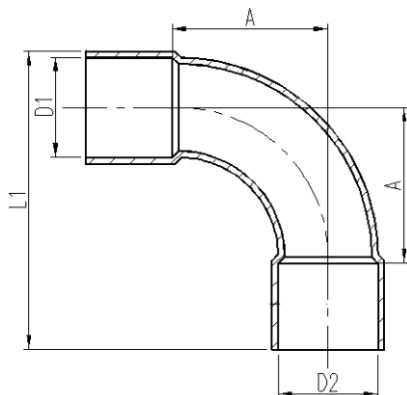
Coudes 90°

#BMI	Taille D.E.	A (mm)	L1 (mm)	D1 (mm)			D2 (mm)			Kg
				Épaisseur	Diamètre	Profondeur	Épaisseur	Diamètre	Profondeur	
43301	1/4	9.5	20.8	0.85	6.40~6.50	6.4~7.7	0.85	6.40~6.50	6.4~7.7	0.007
43302	3/8	9.5	24.5	1.40	9.58~9.68	7.9~9.2	1.40	9.58~9.68	7.9~9.2	0.017
43303	1/2	12.7	30.5	0.85	12.75~12.85	9.7~11.0	0.85	12.75~12.85	9.7~11.0	0.014
43304	5/8	15.1	38.2	1.45	15.93~16.03	12.7~14.2	1.45	15.93~16.03	12.7~14.2	0.045
43313	3/4	22.2	49.5	1.05	19.10~19.20	15.7~17.2	1.05	19.10~19.20	15.7~17.2	0.041
43305	7/8	21.0	53.4	1.15	22.28~22.38	19.1~20.6	1.15	22.28~22.38	19.1~20.6	0.055
43306	1-1/8	27.4	67.3	1.35	28.65~28.75	23.1~25.1	1.35	28.65~28.75	23.1~25.1	0.108
43307	1-3/8	27.8	72.5	1.45	35.00~35.10	24.6~26.6	1.45	35.00~35.10	24.6~26.6	0.150
43308	1-5/8	31.0	82.0	1.45	41.35~41.48	27.7~29.7	1.45	41.35~41.48	27.7~29.7	0.210
43309	2-1/8	39.7	103.5	1.70	54.05~54.18	34.0~36.0	1.70	54.05~54.18	34.0~36.0	0.345
43310	2-5/8	46.0	120.2	1.80	66.75~66.88	37.3~40.1	1.80	66.75~66.88	37.3~40.1	0.600
43311	3-1/8	52.4	138.1	2.10	79.45~79.58	42.2~45.0	2.10	79.45~79.58	42.2~45.0	0.800
43312	4-1/8	69.1	180.7	2.50	104.85~104.98	54.9~57.9	2.50	104.85~104.98	54.9~57.9	1.720



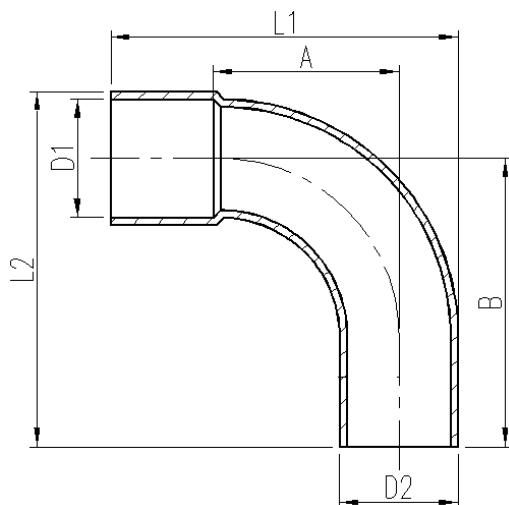
Coudes 90° Racc. x C

#BMI	Taille D.E.	A (mm)	B (mm)	L1 (mm)	L2 (mm)	D1 (mm)			D2 (mm)		
						Épaisseur	Diamètre	Profondeur	Épaisseur	Diamètre	Profondeur
43351	1/4	9.5	19.1	19.8	23.30	0.85	6.40~6.50	6.4~7.7	0.85	6.30~6.38	7.9~9.2
43342	3/8	9.5	19.1	22.8	25.20	1.15	9.58~9.68	7.9~9.2	1.15	9.47~9.55	9.7~11.0
43353	1/2	12.7	23.8	29.4	31.20	0.85	12.75~12.85	9.7~11.0	0.85	12.62~12.73	11.2~12.5
43354	5/8	15.1	29.4	36.4	38.40	0.85	15.93~16.03	12.7~14.2	0.85	15.80~15.90	14.2~15.7
43382	3/4	22.2	36.5	48.1	47.30	1.05	19.10~19.20	15.7~17.2	1.05	18.97~19.08	17.5~19.0
43355	7/8	20.6	41.3	51.5	53.70	1.15	22.28~22.38	19.1~20.6	1.15	22.15~22.25	20.6~22.1
43356	1-1/8	27.0	51.6	65.4	67.40	1.35	28.65~28.75	23.1~25.1	1.35	28.50~28.63	24.6~26.6
43357	1-3/8	27.0	52.8	70.0	71.90	1.45	35.00~35.10	24.6~26.6	1.45	34.85~34.98	26.2~28.2
43358	1-5/8	31.0	60.3	80.3	82.60	1.45	41.35~41.48	27.7~29.7	1.45	41.17~41.33	29.5~31.5
43359	2-1/8	40.5	77.5	102.5	106.20	1.70	54.05~54.18	34.0~36.0	1.70	53.87~54.03	35.8~37.8
43360	2-5/8	46.0	84.9	118.0	120.30	1.80	66.75~66.88	37.3~40.1	1.80	66.57~66.73	38.9~41.7
43361	3-1/8	52.4	97.5	135.7	139.50	2.10	79.45~79.58	42.2~45.0	2.10	79.27~79.43	43.7~46.5
43362	4-1/8	70.0	127.5	178.0	183.00	2.50	104.85~104.98	54.9~57.9	2.50	104.67~104.83	56.4~59.4



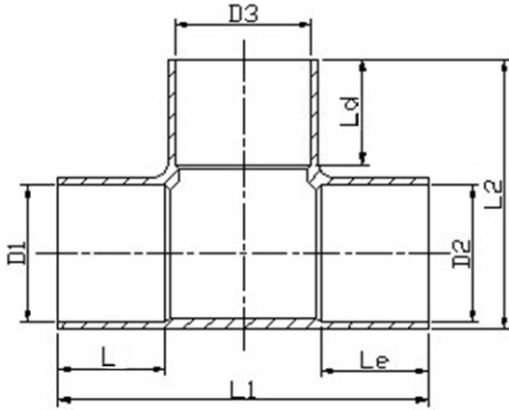
Coudes 90° long rayon

#BMI	Taille D.E.	A (mm)	L1 (mm)	D1 (mm)			D2 (mm)			Kg
				Épaisseur	Diamètre	Profondeur	Épaisseur	Diamètre	Profondeur	
43901	1/4	12.7	24.0	0.85	6.40~6.50	6.4~7.7	0.85	6.40~6.50	6.4~7.7	0.006
43915	5/16	14.3	27.8	0.85	7.99~8.09	7.9~9.2	0.85	7.99~8.09	7.9~9.2	0.010
43902	3/8	19.1	34.1	1.40	9.58~9.68	7.9~9.2	1.40	9.58~9.68	7.9~9.2	0.023
43903	1/2	19.1	37.0	1.02	12.75~12.85	9.7~11.0	1.02	12.75~12.85	9.7~11.0	0.023
43905	5/8	22.2	45.0	1.15	15.93~16.03	12.7~14.2	1.15	15.93~16.03	12.7~14.2	0.090
43913	3/4	28.6	55.8	1.02	19.10~19.20	15.7~17.2	1.02	19.10~19.20	15.7~17.2	0.047
43905	7/8	30.2	62.9	1.50	22.28~22.38	19.1~20.6	1.50	22.28~22.38	19.1~20.6	0.090
43906	1-1/8	38.1	78.6	1.35	28.65~28.75	23.1~25.1	1.35	28.65~28.75	23.1~25.1	0.182
43907	1-3/8	47.6	92.4	1.38	35.00~35.10	24.6~26.6	1.38	35.00~35.10	24.6~26.6	0.189
43908	1-5/8	57.2	108.2	1.38	41.35~41.48	27.7~29.7	1.38	41.35~41.48	27.7~29.7	0.261
43909	2-1/8	73.0	137.1	1.90	54.05~54.18	34.0~36.0	1.90	54.05~54.18	34.0~36.0	0.532
43910	2-5/8	92.9	167.2	1.85	66.75~66.88	37.3~40.1	1.85	66.75~66.88	37.3~40.1	0.580
43911	3-1/8	117.5	203.3	2.15	79.45~79.58	42.2~45.0	2.15	79.45~79.58	42.2~45.0	1.465
43912	4-1/8	149.2	261.3	2.70	104.85~104.98	54.9~57.9	2.70	104.85~104.98	54.9~57.9	3.090



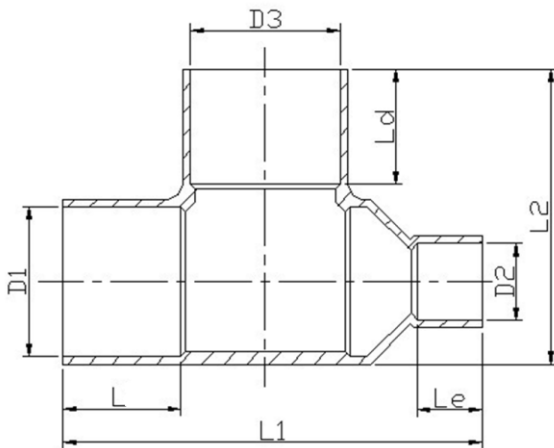
Coudes 90° Racc. x C long rayon

#BMI	Taille D.E.	A (mm)	B (mm)	L1 (mm)	L2 (mm)	D1 (mm)			D2 (mm)		
						Épaisseur	Diamètre	Profondeur	Épaisseur	Diamètre	Profondeur
43951	1/4	12.7	21.2	23.0	25.40	0.85	6.40~6.50	6.4~7.7	0.85	6.30~6.38	7.9~9.2
43952	3/8	19.1	28.6	32.4	34.60	1.15	9.58~9.68	7.9~9.2	1.15	9.47~9.55	9.7~11.0
43953	1/2	19.1	30.2	35.7	37.80	1.02	12.75~12.85	9.7~11.0	1.02	12.62~12.73	11.2~12.5
43954	5/8	22.2	34.9	43.5	43.90	1.15	15.93~16.03	12.7~14.2	1.15	15.80~15.90	14.2~15.7
43963	3/4	28.6	46.0	54.5	56.80	1.02	19.10~19.20	15.7~17.2	1.02	18.97~19.08	17.5~19.0
43955	7/8	30.2	50.8	61.7	63.70	1.50	22.28~22.38	19.1~20.6	1.50	22.15~22.25	20.6~22.1
43956	1-1/8	38.1	62.8	76.5	78.60	1.35	28.65~28.75	23.1~25.1	1.35	28.50~28.63	24.6~26.6
43957	1-3/8	47.6	73.9	90.7	93.00	1.38	35.00~35.10	24.6~26.6	1.38	34.85~34.98	26.2~28.2
43958	1-5/8	57.2	87.5	106.5	109.60	1.38	41.35~41.48	27.7~29.7	1.38	41.17~41.33	29.5~31.5
43959	2-1/8	73.0	108.8	135.0	137.80	1.90	54.05~54.18	34.0~36.0	1.90	53.87~54.03	35.8~37.8
43960	2-5/8	92.9	131.0	164.9	166.60	1.85	66.75~66.88	37.3~40.1	1.85	66.57~66.73	38.9~41.7
43961	3-1/8	117.5	159.5	200.8	201.80	2.15	79.45~79.58	42.2~45.0	2.15	79.27~79.43	43.7~46.5
43962	4-1/8	149.2	207.1	258.0	262.20	2.70	104.85~104.98	54.9~57.9	2.70	104.67~104.83	56.4~59.4



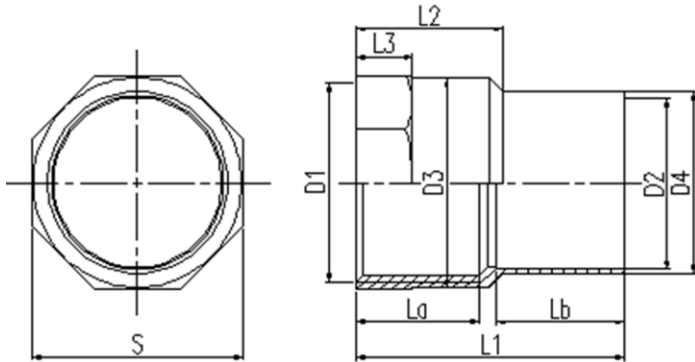
Tés

Taille D.E.	Taille D.E.	Épaisseur	D1(mm)	L(mm)	D2(mm)	Le(mm)	D3(mm)	Ld(mm)	L1(mm)	L2(mm)	Kg
43401	1/4	0.7	6.40~6.51	6.4~7.7	6.40~6.51	6.4~7.7	6.40~6.51	6.4~7.7	24.2~26.7	15.0~17.0	0.007
43414	5/16	0.9	7.99~8.11	7.9~9.2	7.99~8.11	7.9~9.2	7.99~8.11	7.9~9.2	29.0~31.5	18.8~20.8	0.013
43402	3/8	0.8	9.58~9.69	7.9~9.2	9.58~9.69	7.9~9.2	9.58~9.69	7.9~9.2	27.0~29.5	20.2~22.2	0.014
43403	1/2	0.85	12.75~12.87	9.7~11.0	12.75~12.87	9.7~11.0	12.75~12.87	9.7~11.0	32.3~34.8	25.1~27.1	0.019
43404	5/8	0.95	15.93~16.05	12.7~14.2	15.93~16.05	12.7~14.2	15.93~16.05	12.7~14.2	41.4~43.9	31.6~33.6	0.035
43413	3/4	1.15	19.10~19.22	15.7~17.2	19.10~19.22	15.7~17.2	19.10~19.22	15.7~17.2	50.6~53.6	38.4~40.4	0.063
43405	7/8	1.2	22.28~22.40	19.1~20.6	22.28~22.40	19.1~20.6	22.28~22.40	19.1~20.6	60.6~63.6	45.1~47.1	0.090
43406	1-1/8	1.4	28.65~28.80	23.1~25.1	28.65~28.80	23.1~25.1	28.65~28.80	23.1~25.1	75.0~78.0	56.1~58.1	0.155
43407	1-3/8	1.55	35.00~35.15	24.6~26.6	35.00~35.15	24.6~26.6	35.00~35.15	24.6~26.6	84.3~88.3	64.4~67.4	0.225
43408	1-5/8	1.65	41.35~41.53	27.7~29.7	41.35~41.53	27.7~29.7	41.35~41.53	27.7~29.7	96.9~100.9	74.1~77.1	0.339
43409	2-1/8	2.3	54.05~54.25	34.0~36.0	54.05~54.25	34.0~36.0	54.05~54.25	34.0~36.0	122.2~126.2	95.1~98.1	0.770
43410	2-5/8	2.4	66.75~67.00	37.3~40.1	66.75~67.00	37.3~40.1	66.75~67.00	37.3~40.1	146.6~150.6	111.4~114.4	1.025
43411	3-1/8	2.5	79.45~79.70	42.2~45.0	79.45~79.70	42.2~45.0	79.45~79.70	42.2~45.0	169.0~174.6	129.3~133.3	1.500
43412	4-1/8	2.8	104.85~105.10	54.9~57.9	104.85~105.10	54.9~57.9	104.85~105.10	54.9~57.9	220.4~226.0	168.3~172.3	2.380



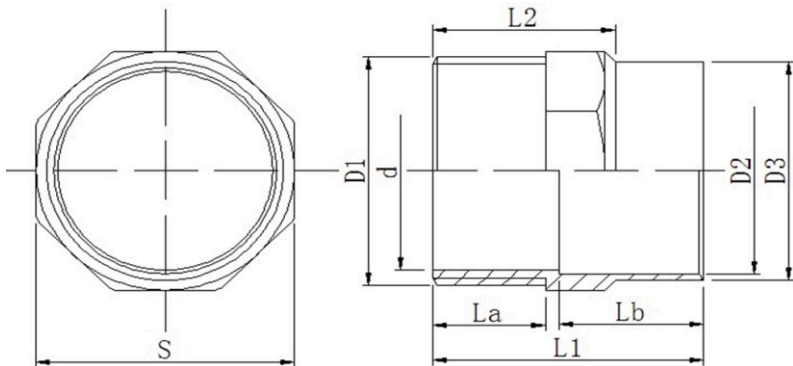
Tés réduit

#BMI	Taille D.E.	Épaisseur	D1(mm)	L(mm)	D2(mm)	Le(mm)	D3(mm)	Ld(mm)	L1(mm)	L2(mm)	Kg
43415	3/8 x 3/8 x 1/2	0.85	9.58~9.69	7.9~9.2	9.58~9.69	7.9~9.2	12.75~12.87	9.7~11.0	42.3~44.8	26.0~28.0	0.024
43416	3/8 x 3/8 x 1/4	0.8	9.58~9.69	7.9~9.2	9.58~9.69	7.9~9.2	6.40~6.51	6.4~7.7	30.0~32.5	18.5~20.5	0.014
43417	1/2 x 1/2 x 3/8	0.85	12.75~12.87	9.7~11.0	12.75~12.87	9.7~11.0	9.58~9.69	7.9~9.2	30.6~33.1	23.3~25.3	0.019
43418	1/2 x 1/2 x 1/4	0.85	12.75~12.87	9.7~11.0	12.75~12.87	9.7~11.0	6.40~6.51	6.4~7.7	27.4~29.9	21.8~23.8	0.018
43419	1/2 x 3/8 x 3/8	0.85	12.75~12.87	9.7~11.0	9.58~9.69	7.9~9.2	9.58~9.69	7.9~9.2	37.5~40.0	22.5~24.5	0.022
43421	5/8 x 5/8 x 1/2	0.95	15.93~16.05	12.7~14.2	15.93~16.05	12.7~14.2	12.75~12.87	9.7~11.0	39.8~42.3	28.6~30.6	0.033
43422	5/8 x 5/8 x 1/4	0.95	15.93~16.05	12.7~14.2	15.93~16.05	12.7~14.2	6.40~6.51	6.4~7.7	33.4~35.9	25.3~27.3	0.028
43423	5/8 x 5/8 x 3/8	0.95	15.93~16.05	12.7~14.2	15.93~16.05	12.7~14.2	9.58~9.69	7.9~9.2	36.6~39.1	26.8~28.8	0.032
43425	5/8 x 1/2 x 1/2	0.95	15.93~16.05	12.7~14.2	12.75~12.87	9.7~11.0	12.75~12.87	9.7~11.0	43.8~45.8	30.2~32.2	0.031
43438	1-1/8 x 1-1/8 x 7/8	1.3	28.65~28.80	23.1~25.1	28.65~28.80	23.1~25.1	22.28~22.40	19.1~20.6	70.1~73.1	51.8~53.8	0.120
43441	1-1/8 x 1-1/8 x 1/2	1.3	28.65~28.80	23.1~25.1	28.65~28.80	23.1~25.1	12.75~12.87	9.7~11.0	43.8~45.8	30.2~32.2	0.095
43443	1-1/8 x 7/8 x 7/8	1.2	28.65~28.80	23.1~25.1	22.28~22.40	19.1~20.6	22.28~22.40	19.1~20.6	76.0~79.0	52.0~54.0	0.130
43455	1-3/8 x 1-3/8 x 5/8	1.4	35.00~35.15	24.6~26.6	35.00~35.15	24.6~26.6	15.93~16.05	12.7~14.2	67.2~71.2	52.0~55.0	0.155
43491	2-1/8 x 2-1/8 x 1-5/8	1.9	54.05~54.25	34.0~36.0	54.05~54.25	34.0~36.0	41.35~41.53	27.7~29.7	112.5~116.5	87.6~90.6	0.585



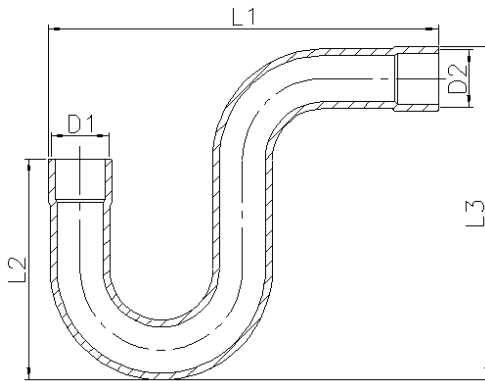
Adaptateurs C x FIPS

#BMI	Taille D.E.	D1 (mm)	D2 (mm)		D3 (mm)	D4 (mm)	La (mm)		Lb (mm)		L1 (mm)	L2 (mm)	L3 (mm)	S	Kg
			MIN.	MAX.			MIN.	MAX.	MIN.	MAX.					
43704	5/8 x 1/2	1/2 NPT	15.95	16.03	23.0	17.9	14.0	15.0	12.7	13.5	29.0	17.5	7.2	24.5	0.036
43705	7/8 x 3/4	3/4 NPT	22.30	22.38	28.8	24.3	16.5	17.5	19.0	19.8	37.0	19.5	7.8	30.5	0.064
43706	1-1/8 x 1	1 NPT	28.67	28.75	36.3	31.2	19.0	20.0	23.0	24.0	43.0	21.5	8.5	37.5	0.104
43707	1-3/8 x 1-1/4	1-1/4 NPT	35.03	35.10	45.0	37.8	19.5	20.5	24.5	25.5	49.0	24.0	11.0	45.8	0.150
43708	1-5/8 x 1-1/2	1-1/2 NPT	41.38	41.48	52.0	44.4	20.5	21.5	27.5	28.5	52.5	27.0	12.0	52.7	0.208
43709	2-1/8 x 2	2 NPT	54.05	54.18	64.1	57.4	24.0	25.0	34.0	36.0	54.0	28.5	12.5	65.0	0.320
43715	1/2 x 1/2	1/2 NPT	12.75	12.85	23.2	14.6	14.0	15.0	9.7	11.0	31.0	19.7	6.9	24.5	0.041
43717	5/8 x 3/4	3/4 NPT	15.95	16.03	28.8	17.9	16.5	17.5	12.7	14.2	37.5	22.6	6.9	30.5	0.050
43718	5/8 x 3/8	3/8 NPT	15.95	16.03	18.3	14.6	10.5	11.0	12.7	13.5	23.9	14.1	5.3	19.6	0.036
43721	3/4 x 3/4	3/4 NPT	19.10	19.20	29.0	21.2	16.5	17.5	15.7	17.2	36.3	19.2	6.9	30.5	0.064
43722	7/8 x 1	1 NPT	22.30	22.38	36.5	24.3	19.0	20.0	19.0	19.8	45.8	25.7	7.6	37.5	0.105



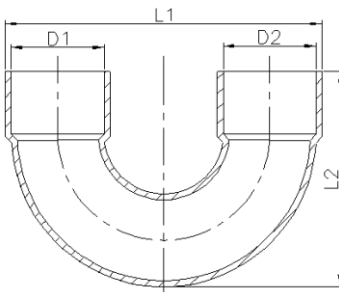
Adaptateurs C x MIPS

#BMI	Taille D.E.	D1 (mm)	D2 (mm)		D3 (mm)	La (mm)		Lb (mm)		L1 (mm)	L2 (mm)	S	Kg
			MIN.	MAX.		MIN.	MAX.	MIN.	MAX.				
43803	1/2 x 3/8	3/8 NPT	12.75	12.85	23.2	10.5	11.0	9.7	11.0	23.5	17.5	18.3	0.020
43804	5/8 x 1/2	1/2 NPT	15.95	16.03	17.9	14.0	15.0	12.7	13.5	27.0	20.0	21.8	0.032
43806	1-1/8 x 1	1 NPT	28.67	28.75	31.2	19.0	20.0	23.0	24.0	41.0	27.0	26.0	0.104
43807	1-3/8 x 1-1/4	1-1/4 NPT	35.03	35.10	37.8	19.5	20.5	24.5	25.5	43.0	27.5	34.6	0.150
43808	1-5/8 x 1-1/2	1-1/2 NPT	41.38	41.48	44.4	20.5	21.5	27.5	28.5	47.5	31.0	40.5	0.209
43817	1/2 x 1/2	1/2 NPT	12.75	12.85	23.2	14.0	15.0	9.7	11.0	30.8	22.4	21.8	0.036
43818	5/8 x 3/8	3/8 NPT	15.95	16.03	17.9	10.5	11.0	12.7	14.2	27.3	17.5	18.3	0.036
43821	3/4 x 3/4	3/4 NPT	19.10	19.20	29.0	13.0	14.0	15.7	17.2	40.7	23.0	26.0	0.064
43822	5/8 x 3/4	3/4 NPT	15.95	16.03	17.9	13.0	14.0	12.7	14.2	35.0	24.0	26.0	0.059
43827	7/8 x 1	1 NPT	22.30	22.38	36.5	19.0	20.0	19.0	19.8	48.0	28.8	33.2	0.100
43833	1-1/8 x 3/4	3/4 NPT	28.67	28.75	31.2	13.0	14.0	23.1	25.1	45.0	27.8	33.5	0.086



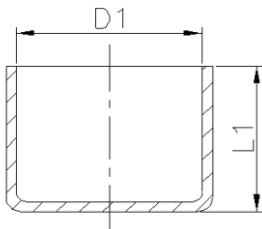
Siphons-p

#BMI	Taille D.E.	L1 (mm)	L2 (mm)	L3 (mm)	R (mm)	D1 (mm)		D2 (mm)		Kg
						Diamètre	Profondeur	Diamètre	Profondeur	
43604	5/8	177.1~179.6	156.8~159.3	166.0~168.5	38.1	15.94~16.03	12.7~13.7	15.94~16.03	12.7~13.7	0.195
43613	3/4	176.6~179.6	162.6~165.6	173.4~176.4	38.1	19.11~19.20	15.7~17.0	19.11~19.20	15.7~17.0	0.244
43605	7/8	183.3~186.3	162.8~165.8	175.3~178.3	38.1	22.29~22.38	19.1~20.4	22.29~22.38	19.1~20.4	0.315
43606	1-1/8	184.6~187.6	170.3~173.3	186.2~189.2	38.1	28.67~28.78	23.1~24.6	28.67~28.78	23.1~24.6	0.486
43607	1-3/8	214.2~218.2	174.5~178.5	193.6~197.6	47.6	35.02~35.13	24.6~26.1	35.02~35.13	24.6~26.1	0.620
43608	1-5/8	268.1~272.1	238.2~242.2	260.5~264.5	63.5	41.37~41.50	27.7~29.2	41.37~41.50	27.7~29.2	1.050
43609	2-1/8	322.3~326.3	282.3~286.3	311.2~315.2	76.2	54.07~54.23	34.0~36.0	54.07~54.23	34.0~36.0	1.845



Retours en U

#BMI	Taille D.E.	L1 (mm)	L2 (mm)	D1 (mm)		D2 (mm)		Kg
				Diamètre	Profondeur	Diamètre	Profondeur	
43922	5/8x2 1/4	74.5-76.0	50.4~52.9	15.94~16.03	12.7~13.7	15.94~16.03	12.7~13.7	0.048
43927	7/8 x 2-1/2	87.5-89.5	62.9~65.9	22.29~22.38	19.1~20.4	22.29~22.38	19.1~20.4	0.100
43930	1-1/8 x 3	106.9-109.1	73.4~76.4	28.67~28.78	23.1~24.6	28.67~28.78	23.1~24.6	0.187
43931	1-3/8 x 3-3/4	112.3-114.5	87.1~91.1	35.02~35.13	24.6~26.1	35.02~35.13	24.6~26.1	0.280
43932	1-5/8 x 4-1/2	157.1-159.3	102.9~106.9	41.37~41.50	27.7~29.2	41.37~41.50	27.7~29.2	0.412
43933	2-1/8 x 5-1/2	196.4-199.4	129.8~133.8	54.07~54.23	34.0~36.0	54.07~54.23	34.0~36.0	0.800



Capuchons

#BMI	Taille D.E.	L1 (mm)	Épaisseur	Diamètre	Profondeur	Kg
43507	1-3/8	27.8~29.8	1.12	35.00~35.15	24.6~26.1	0.050
43508	1-5/8	31.1~32.6	1.30	41.35~41.53	27.7~29.2	0.070
43509	2-1/8	38.3~40.8	1.50	54.05~54.25	34.0~36.0	0.130
43510	2-5/8	41.9~44.9	1.70	66.75~67.00	37.3~39.3	0.220
43511	3-1/8	47.4~50.4	1.90	79.45~79.70	42.2~44.2	0.300
43512	4-1/8	61.3~65.3	2.44	104.85~105.10	54.9~56.9	0.660

ACR^{Plus}

RACCORDS EN CUIVRE OUVRÉ



Conforme à :

Matériaux : ASME/ASTM B42
tuyaux de type 'K'
C12200 (99.9% cu)

Dimensions : ASME/ASTM B16.22

Filets : ASME/ASTM B1.20.1

Haute pression : UL 207 CSA C22.2 No. 140.3-15, de 1/4 à 2 1/8" o.d.
700 psi test de résistance hydrostatique à 205 °F (121 °C)

Eau potable : NSF/ANSI 61 (sans plomb)

Autres : ISO 9001, ISO 14001, CRN OA13054