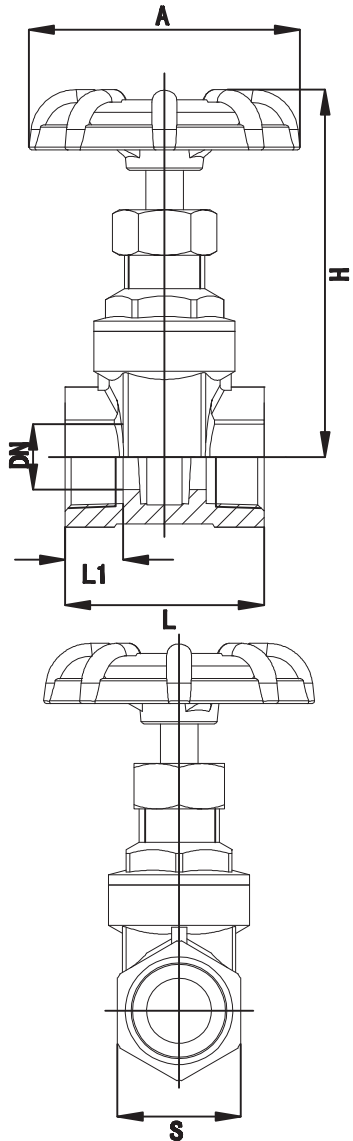
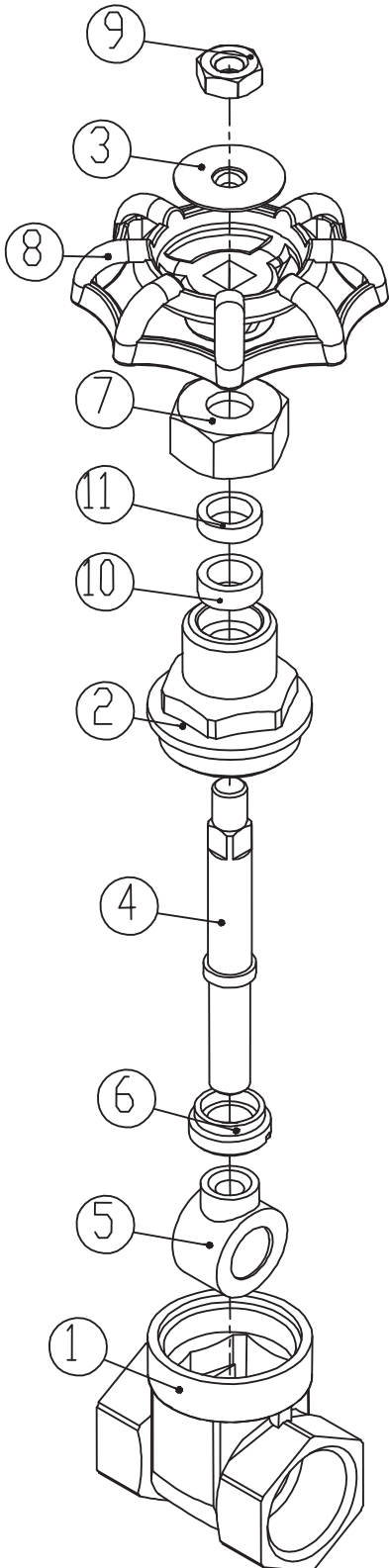


BRASS THREADED GATE VALVES



Specifications

- Cast brass
- 200 CWP, 200 psi / 13.8 bar, non-shock
- Temperature range from -4 °F to 302 °F (-20 °C to 150 °C)
- Rated for: water, non-corrosive liquid & saturated steam
- Threaded ends: ANSI B1.20.1, solder ends: ANSI B16.18

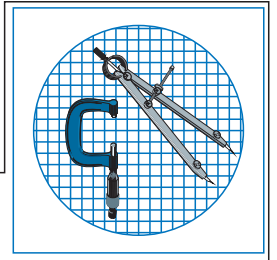
Note:

This product is not suitable for a drinking water installation.

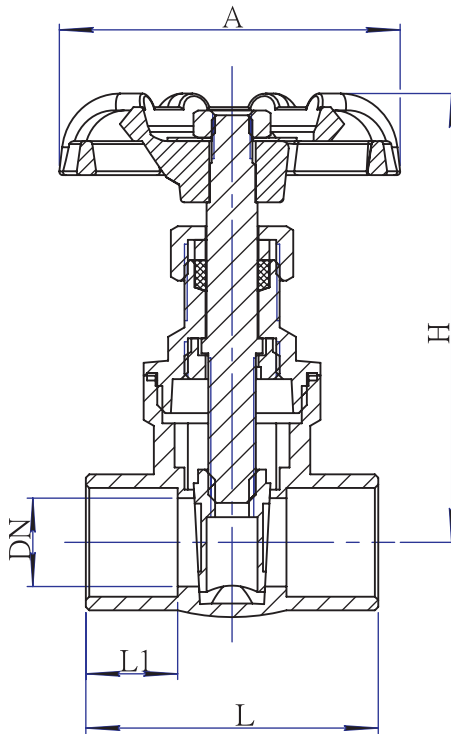
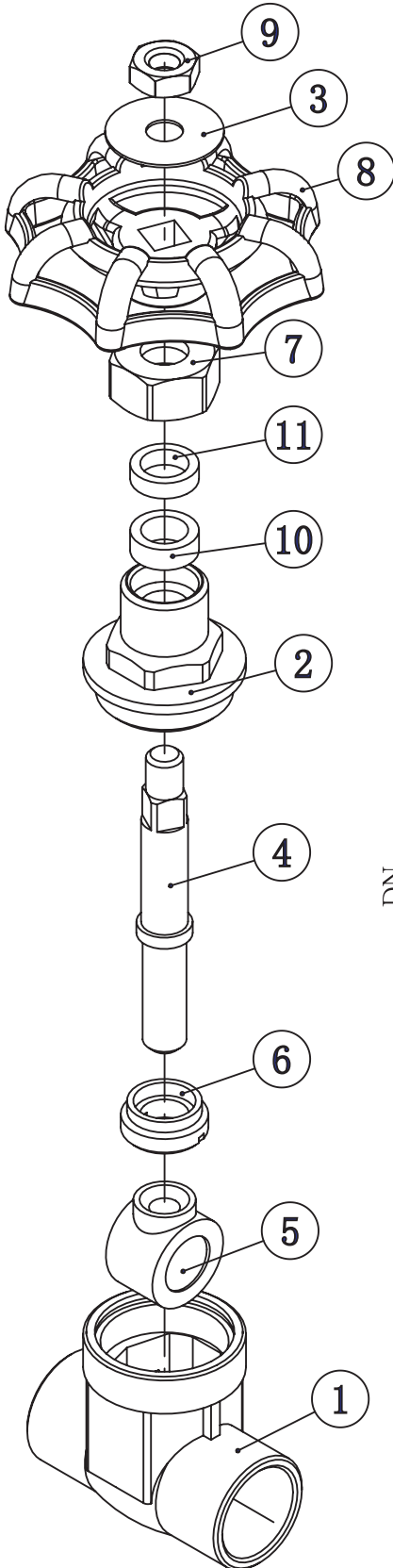
List of Materials

#	Part	Material
1	Body	Brass
2	Bonnet	Brass
3	Nameplate	Aluminum
4	Stem	Brass
5	Gate	Brass
6	Lock Cap	Brass
7	Glan Nut	Brass
8	Handle	Cast Iron
9	Nut	Steel
10	Gasket	F4
11	Washer	Brass

BMI#	SIZE	L	H	DN	L1	S	A
14104	1/2"	1.5	2.8	0.5	0.5	1.0	2.1
14105	3/4"	1.7	3.0	0.6	0.5	1.2	2.1
14106	1"	1.9	3.4	0.8	0.6	1.5	2.3
14107	1 1/4"	2.0	4.0	1.0	0.6	1.8	2.7
14108	1 1/2"	2.1	4.5	1.3	0.6	2.1	2.7
14109	2"	2.5	5.3	1.7	0.7	2.5	3.3
14110	2 1/2"	3.2	6.8	2.2	0.9	3.3	3.7
14111	3"	3.7	7.8	2.7	1.1	3.8	4.3
14112	4"	4.0	9.1	3.4	1.1	4.7	5.1



BRASS SOLDER ENDS GATE VALVES



Specifications

- Cast brass
- 200 CWP, 200 psi / 13.8 bar, non-shock
- Temperature range from -4 °F to 302 °F (-20 °C to 150 °C)
- Rated for: water, non-corrosive liquid & saturated steam
- Threaded ends: ANSI B1.20.1, solder ends: ANSI B16.18

Note:

This product is not suitable for a drinking water installation.

List of Materials

#	Part	Material
1	Body	Brass
2	Bonnet	Brass
3	Nameplate	Aluminum
4	Stem	Brass
5	Gate	Brass
6	Lock Cap	Brass
7	Glan Nut	Brass
8	Handle	Cast Iron
9	Nut	Steel
10	Gasket	F4
11	Washer	Brass

BMI#	SIZE	L	H	DN	L1	A
14204	1/2"	1.5	2.8	0.5	0.5	2.1
14205	3/4"	2.0	3.1	0.6	0.7	2.1
14206	1"	2.2	3.4	0.8	0.7	2.1
14207	1 1/4"	2.8	4.0	1.0	0.8	2.3
14208	1 1/2"	3.1	4.5	1.3	1.0	2.7
14209	2"	3.6	5.3	1.7	1.0	2.7