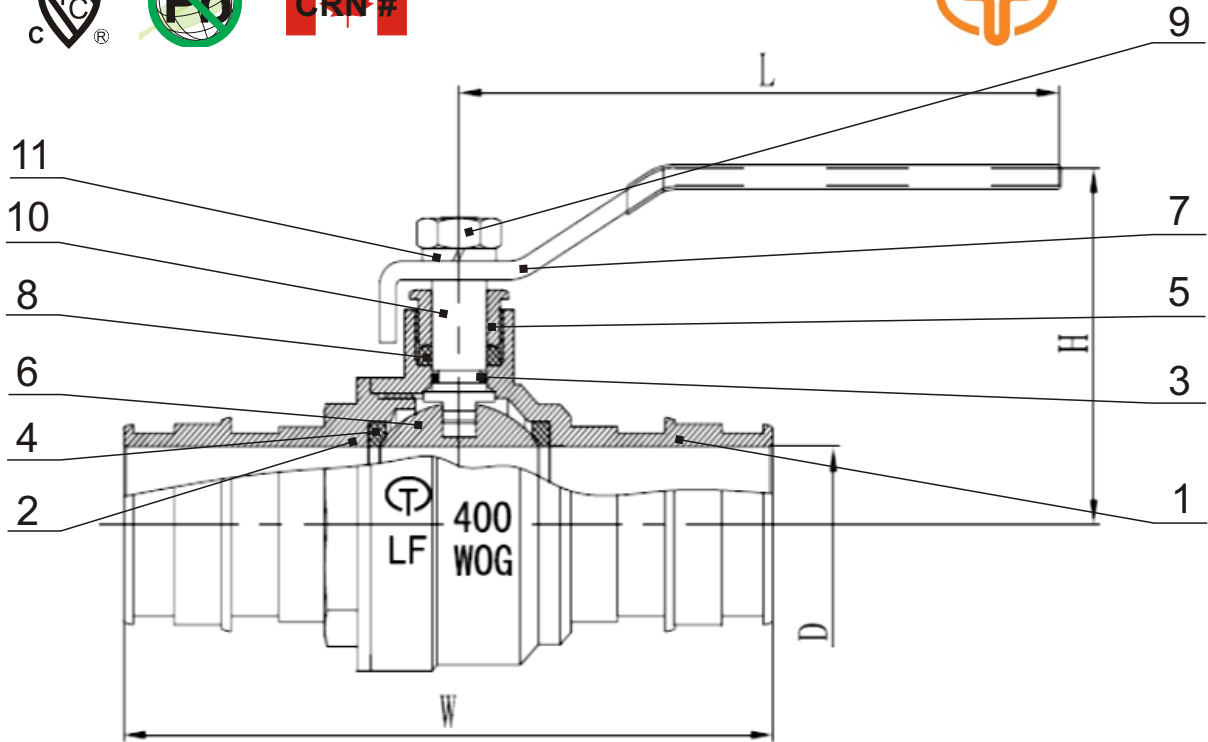


F1960 COLD EXPANSION BRASS BALL VALVES



Specifications:

- Lead free, DZR (Dezincification resistant) forged brass
- Stainless steel ball
- Maximum working pressure 400 psi CWP or 150 psi SWP
- Working temperature -20 °F to 300 °F (-29 °C to 149 °C)
- Stem seal, O-ring and adjustable packing nut combo mode
- Blow-out proof stem assembly
- High corrosion resistance chrome plated handle
- * Stainless steel handle also available

BMI#	SIZE	D	L	H	W
13854	1/2"	0.394	3.46	1.69	2.58
13855	3/4"	0.611	3.46	1.81	3.31
13856	1"	0.812	4.29	2.09	3.98
13857	1 1/4"	0.984	4.29	2.25	4.65
13858	1 1/2"	1.103	5.63	2.45	5.52
13859	2"	1.575	5.63	2.74	6.91
13860	2 1/2"	2.01	5.63	3.04	8.8
13861	3"	2.44	7.76	4.25	10.75

Certifications by:

IAPMO (cUPC)

Complies with:

ASTM F1960, cUPC, NSF/ANSI-61, NSF/ANSI-372, NSF/ANSI-14

List of Materials

#	Part	Lead Free
1	Body	C46500
2	Bonnet	C46500
3	O-ring	NBR
4	Seat	PTFE
5	Packing nut	C36000
6	Ball	S.S. SUS 304
7	Handle	Steel/Chrome
8	Packing	PTFE
9	Nut	Steel/Zinc
10	Stem 1/2~2" Stem 2 1/2~3"	C46500 S.S. SUS 304
11	Washer	Steel/Zinc