

CxF DIELECTRIC UNIONS

Working Pressure & Temperature:

Reg.: 80 °C (156 °F) ~ 250 psi (17.24 bar)

Max.: 150 °C (302 °F) ~ 50 psi (3.45 bar)

Standards for parts:

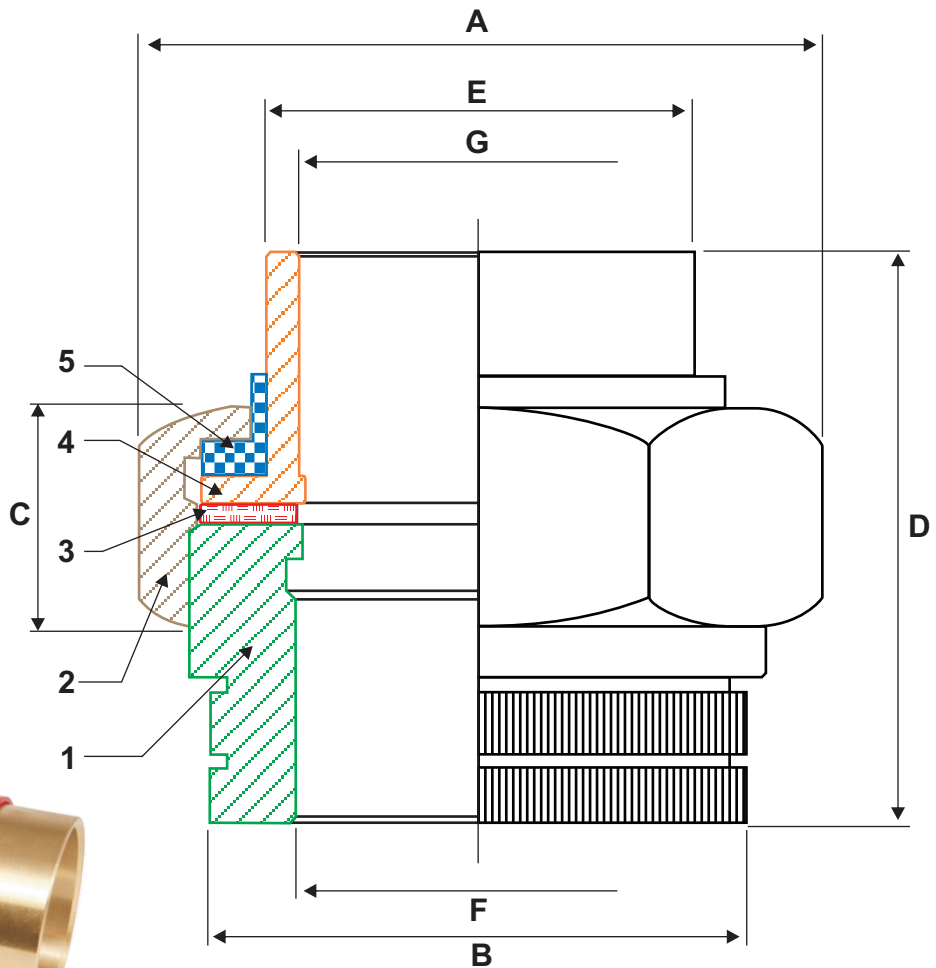
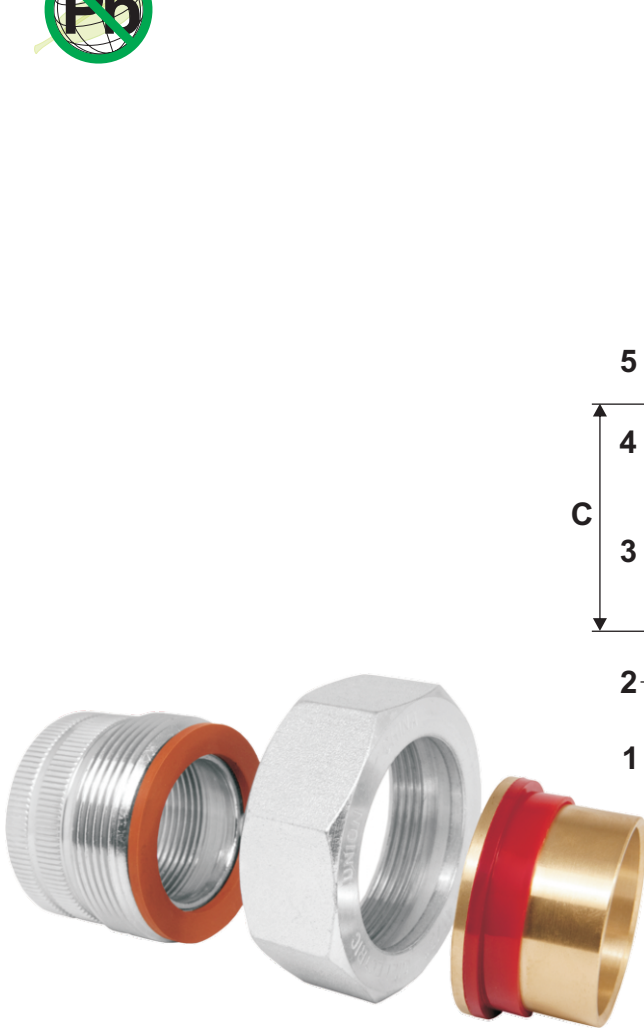
Steel: ASTM A108

Brass: ASTM B16

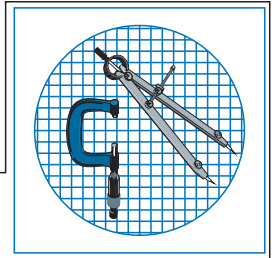
Zinc Plated: ASTM B633



BMI#	Size	mm						
		A	B	C	D	E	F	G
07404	1/2"	41.30	26.40	18.28	47.00	20.80	1/2" NPT	16.00 ^{+ 0.03} _{-0.07}
07405	3/4"	47.00	32.00	18.28	51.50	27.17	3/4" NPT	22.30 ^{+ 0.08} _{-0.02}
07406	1"	53.40	39.00	18.28	57.50	33.30	1" NPT	28.70 ^{+ 0.05} _{-0.05}
07407	1 1/4"	65.00	47.20	21.50	64.00	39.87	1 1/4" NPT	35.00 ^{+ 0.11} _{-0.01}
07408	1 1/2"	75.00	54.70	24.60	64.30	46.45	1 1/2" NPT	41.40 ^{+ 0.09} _{-0.06}
07409	2"	95.30	69.40	27.00	72.50	60.45	2" NPT	54.10 ^{+ 0.09} _{-0.06}
07423	1/2" x 3/4"	47.00	32.00	18.28	48.10	20.80	3/4" NPT	16.00 ^{+ 0.03} _{-0.07}



#	PART	MATERIAL
1	THREADED CONNECTOR	ZINC PLATED STEEL
2	HEX. NUT	ZINC PLATED STEEL
3	GASKET	ETPV(Viton®) RUBBER
4	SOLDER CONNECTOR	LEAD FREE BRASS
5	INSULATOR	NYLON



CxM DIELECTRIC UNIONS

Working Pressure & Temperature:

Reg.: 80 °C (156 °F) ~ 250 psi (17.24 bar)

Max.: 150 °C (302 °F) ~ 50 psi (3.45 bar)

Standards for parts:

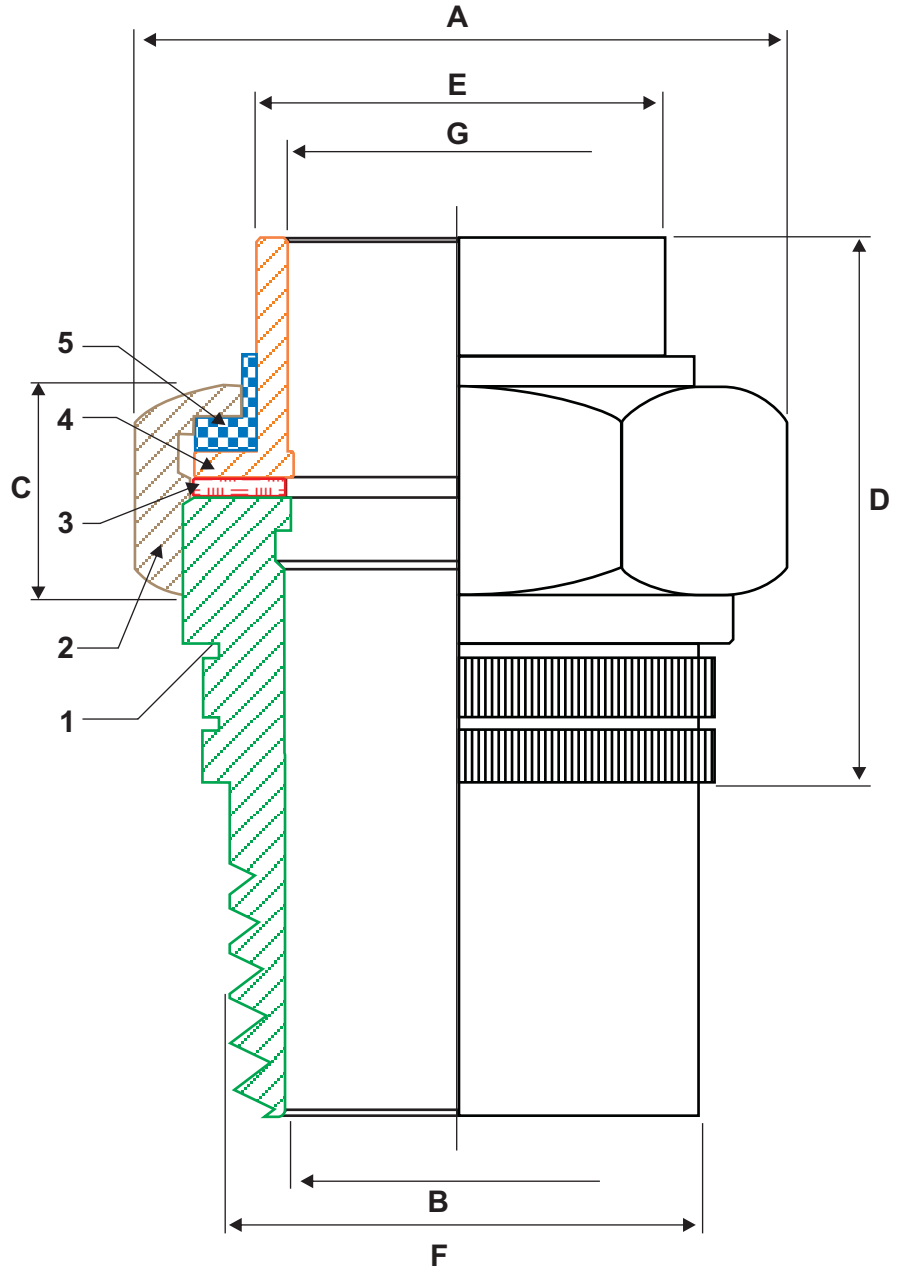
Steel: ASTM A108

Brass: ASTM B16

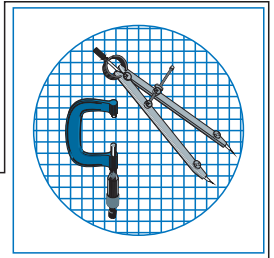
Zinc Plated: ASTM B633



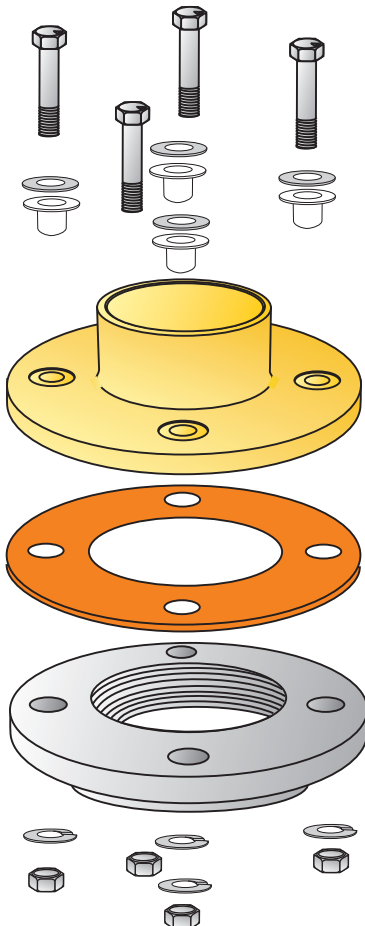
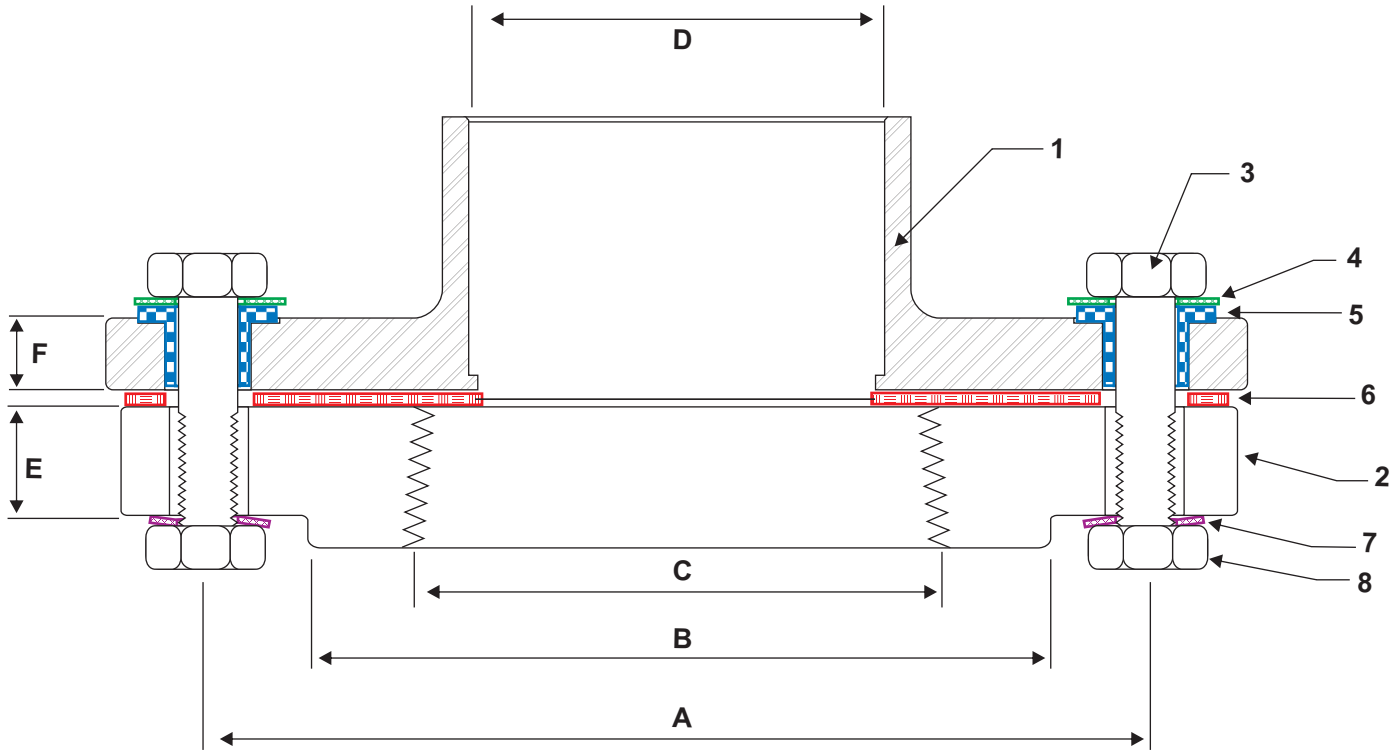
BMI#	Size	mm							G
07434	1/2"	A	B	C	D	E	F	16.00 ^{+ 0.03} _{-0.07}	
07435	3/4"	47.00	27.17	18.28	73.50	31.30	3/4" NPT	22.30 ^{+ 0.08} _{-0.02}	



#	PART	MATERIAL
1	THREADED CONNECTOR	ZINC PLATED STEEL
2	HEX. NUT	ZINC PLATED STEEL
3	GASKET	ETPV(Viton®) RUBBER
4	SOLDER CONNECTOR	LEAD FREE BRASS
5	INSULATOR	NYLON



CxF DIELECTRIC FLANGES



Standards for parts:
Solder ends: ASTM B16.18
Threads: ASME/ANSI B1.20.1
Flanges: ASME/ANSI B16.5
Copper alloy: ASTM B584
Pressure class: #125



		mm					
BMI#	Size	A	B	C	D	E	F
07570	2 1/2"	14.05	91.33	2 1/2" NPT	66.75~66.88	19.35	9.38
07571	3"	15.13	108.95	3" NPT	79.45~79.58	20.69	10.33
07572	4"	19.00	134.24	4" NPT	104.85~104.98	24.43	12.00

#	PART	MATERIAL
1	SOLDER FLANGE	LEAD FREE BRONZE (C89833)
2	THREADED FLANGE	ZINC HOT DIP CAST IRON
3	BOLT	ZINC PLATED STEEL
4	FLAT WASHER	ZINC PLATED STEEL
5	INSULATOR BUSHING	PLASTIC
6	SEALING GASKET	EPDM RUBBER
7	LOCK WASHER	ZINC PLATED STEEL
8	NUT	ZINC PLATED STEEL