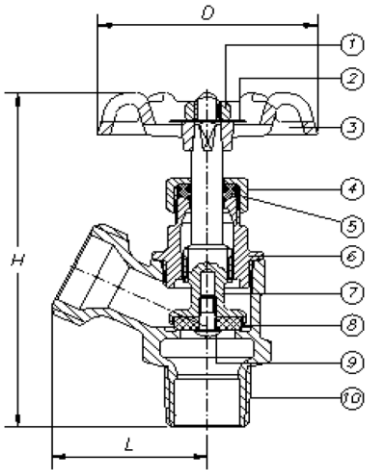


BRASS LOW PRESSURE SUPPLY VALVES

Sediment Faucets, Angle Spout



List of Materials

#	Part	Material
1	Nut	Steel
2	Nameplate	Aluminum
3	Handle	Cast Iron
4	Gland Nut	Brass
5	Gland Packing	PTFE
6	Bonnet	Brass
7	Stem	Brass
8	Seat Washer	NBR
9	Washer Screw	Brass
10	Body	Brass

BMI#	SIZE	L	H	D	Kg
14754	1/2" C/MIPS	37	89	53	0.235
14755	3/4" MIPS	37	91	53	0.245

Specifications:

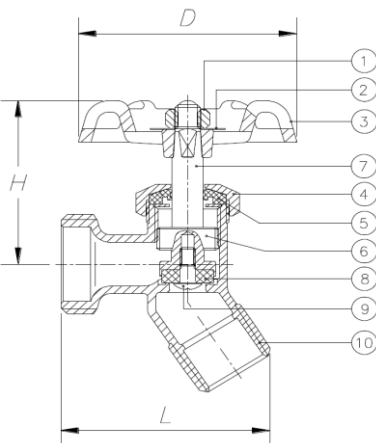
- Cast brass
- 125 CWP / 8.62 bar, non-shock
- Temperature range: 41 °F to 194 °F (5 °C to 90 °C)
- Rated for: water or noncorrosive liquid

Complies with:

- CSA, UPC, ANSI B1.20.1, ANSI B16.18

Note: This product is not suitable for a drinking water installation.

Sediment Faucets, Angle Body



List of Materials

#	Part	Material
1	Nut	Steel
2	Nameplate	Aluminum
3	Handle	Cast Iron
4	Gland Nut	Brass
5	Gland Packing	PTFE
6	Bonnet	Brass
7	Stem	Brass
8	Seat Washer	NBR
9	Washer Screw	Brass
10	Body	Brass

BMI#	SIZE	L	H	D	Kg
14764	1/2" C/MIPS	52	48	53	0.190
14765	3/4" MIPS	54	48	53	0.205

Specifications:

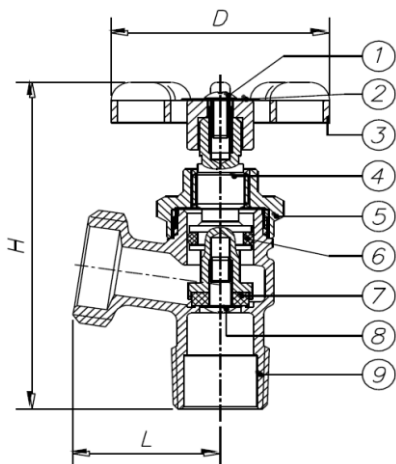
- Cast brass
- 125 CWP / 8.62 bar, non-shock
- Temperature range: 41 °F to 194 °F (5 °C to 90 °C)
- Rated for: water or noncorrosive liquid

Complies with:

- CSA, UPC, ANSI B1.20.1, ANSI B16.18

Note: This product is not suitable for a drinking water installation.

Sediment Faucets, O-Ring Cartridge



List of Materials

#	Part	Material
1	Nut	Steel
2	Nameplate	Aluminum
3	Handle	C.I. or ABS
4	Stem	Brass
5	Bonnet	Brass
6	O-Ring	NBR
7	Seat Washer	NBR
8	Washer Screw	Brass
9	Body	Brass

* ABS Handle



BMI#	SIZE	L	H	D	Kg
14854	1/2" C/MIPS	32	78	46	0.220
14855	3/4" MIPS	32	78	46	0.235
*14964	1/2" C/MIPS	32	78	46	0.220
*14965	3/4" MIPS	32	78	46	0.235

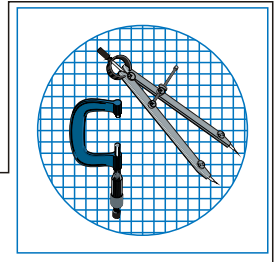
Specifications:

- Cast brass
- 125 CWP / 8.62 bar, non-shock
- Temperature range 41 °F to 194 °F (5 °C to 90 °C)
- Rated for: water and noncorrosive liquid

Complies with:

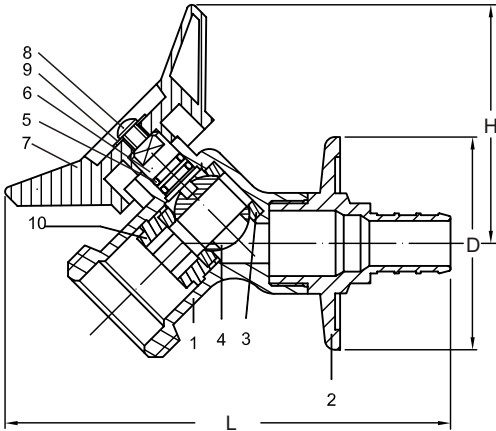
- CSA, UPC, ANSI B1.20.1, ANSI B16.18

Note: This product is not suitable for a drinking water installation.



BRASS LOW PRESSURE SUPPLY VALVES

Sillcock Faucets, Quarter-Turn



List of Materials

#	Part	Material
1	Body	Brass
2	Flange	Brass
3	Seat	PTFE
4	Ball	Brass
5	O-Ring	NBR
6	Stem	Brass
7	Handle	Zinc
8	Screw	Steel
9	Nameplate	Aluminum
10	Plug	Brass

BMI#	SIZE	L	H	D	Kg
14894	1/2" PEX	89	49	43	0.130

Specifications:

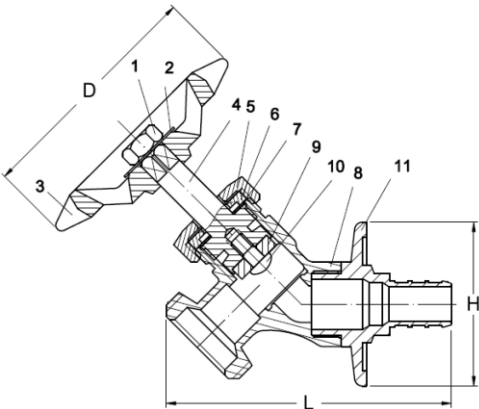
- Forged brass
- 200 CWP / 13.8 bar, non-shock
- Temp. range: -20 °F to 300 °F (-29 °C to 149 °C)
- Blowout proof assembly

Complies with:

- CSA, UPC, ANSI B1.20.1, ANSI B16.18

Note: This product is not suitable for a drinking water installation.

Sillcock Faucets, Angle Body



List of Materials

#	Part	Material
1	Nut	Steel
2	Nameplate	Aluminum
3	Handle	Cast Iron
4	Stem	Brass
5	Gland Nut	Brass
6	Gland Packing	NBR
7	Washer	Brass
8	Body	Brass
9	Seat Washer	NBR
10	Washer Screw	Brass
11	End Bonnet	Brass

BMI#	SIZE	L	H	D	Kg
14884	1/2" PEX	74	43	62	0.130

Specifications:

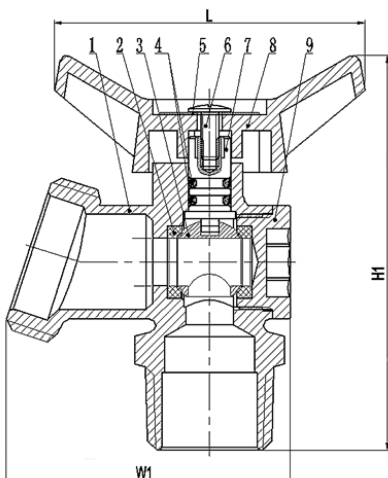
- Cast brass
- 125 CWP / 8.62 bar, non-shock
- Temperature range: 41 °F to 194 °F (5 °C to 90 °C)
- Rated for: water or noncorrosive liquid

Complies with:

- CSA, UPC, ANSI B1.20.1, ANSI B16.18

Note: This product is not suitable for a drinking water installation.

Sediment Faucets, Quarter-Turn



List of Materials

#	Part	Material
1	Body	Brass
2	Seat	PTFE
3	Ball	Brass
4	O-Ring	NBR
5	Nameplate	Aluminum
6	Screw	Steel
7	Stem	Brass
8	Handle	C.I.
9	Bonnet	Brass

BMI#	SIZE	L	H1	W1	Kg
14794	1/2" C/MIPS	52	66	48	0.124

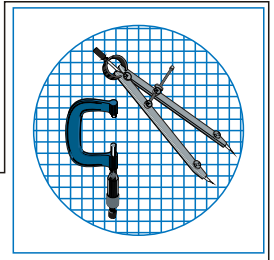
Specifications:

- Lead free forged brass DZR (dezincification resistant)
- 200 CWP / 13.8 bar, non-shock
- Temp. range: -20 °F to 300 °F (-29 °C to 149 °C)
- Blowout proof assembly

Complies with:

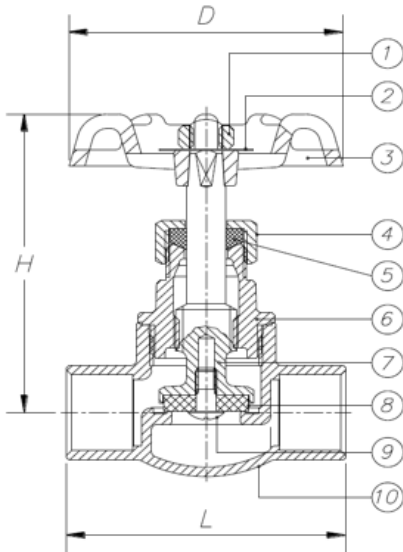
- CSA, UPC, ANSI/NSF 61, ANSI B1.20.1, ANSI B16.18





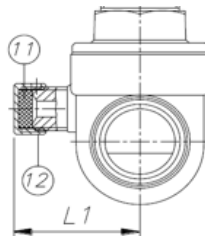
BRASS LOW PRESSURE SUPPLY VALVES

Stop and Stop & Waste Valves



List of Materials

#	Part	Material
1	Nut	Steel
2	Nameplate	Aluminum
3	Handle	Cast Iron
4	Gland Nut	Brass
5	Gland Packing	PTFE
6	Bonnet	Brass
7	Stem	Brass
8	Seat Washer	NBR
9	Washer Screw	Brass
10	Body	Brass
11	Cap Washer	NBR
12	Drain Cap	Brass



BMI#	SIZE	L	H	D	Kg
14725	1/2" CxC	54	64	53	0.225
14735	3/4" CxC	68	64	53	0.273

BMI#	SIZE	L1	Kg
14726	1/2" CxC	24	0.234
14736	3/4" CxC	25	0.274

Specifications:

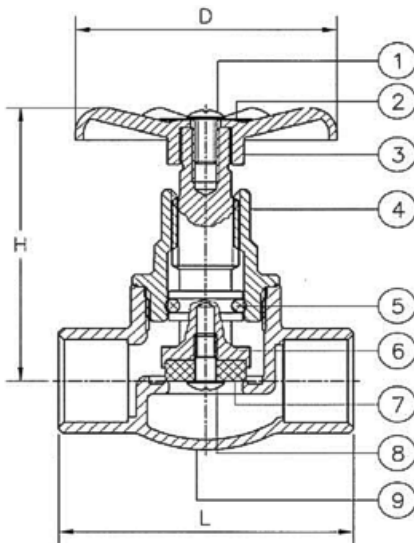
- Cast brass
- 125 CWP / 8.62 bar, non-shock
- Temperature range: 41 °F to 194 °F (5 °C to 90 °C)
- Rated for: water or noncorrosive liquid

Complies with:

- CSA, UPC, ANSI B1.20.1, ANSI B16.18

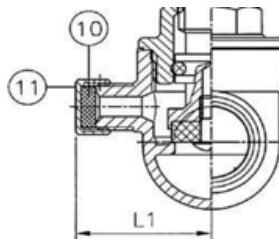
Note: This product is not suitable for a drinking water installation.

Stop and Stop & Waste Valves, O-Ring Cartridge



List of Materials

#	Part	Material
1	Nut	Steel
2	Nameplate	Aluminum
3	Handle	C.I. or ABS
4	Bonnet	Brass
5	O-Ring	NBR
6	Stem	Brass
7	Seat Washer	NBR
8	Washer Screw	Brass
9	Body	Brass
10	Cap Washer	NBR
11	Drain Cap	Brass



BMI#	SIZE	L	H	D	Kg
14825	1/2" CxC	54	64	48	0.210
14835	3/4" CxC	68	64	48	0.255

BMI#	SIZE	L1	Kg
14826	1/2" CxC	24	0.210
14836	3/4" CxC	24	0.260

Specifications:

- Cast brass
- 125 CWP / 8.62 bar, non-shock
- Temperature range: 41 °F to 194 °F (5 °C to 90 °C)
- Rated for: water or noncorrosive liquid

Complies with:

- CSA, UPC, ANSI B1.20.1, ANSI B16.18

Note: This product is not suitable for a drinking water installation.