

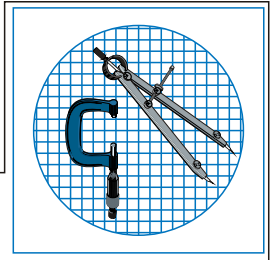


Montreal ~ Toronto ~ Vancouver ~ Cincinnati

[www.bmicanada.com](http://www.bmicanada.com)

1-800-361-1452

1-800-561-8579



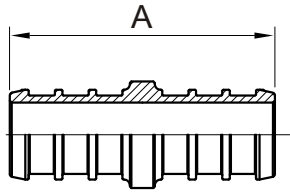
# TECHNICAL INFORMATION



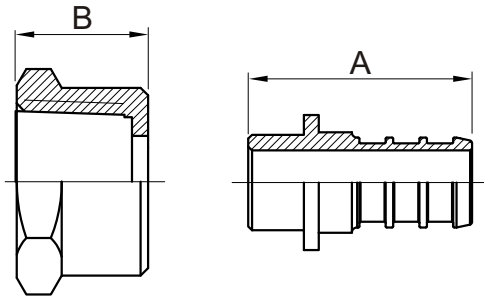
## LEAD FREE BRASS PEX FITTINGS



# LEAD FREE BRASS PEX FITTINGS

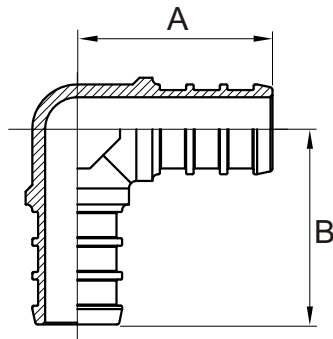


COUPLINGS		
BMI#	Size	A
39004	1/2	35.7
39005	3/4	35.7
39006	1	44.6
39023	3/4 x 1/2	35.6
39027	1 x 3/4	40.0

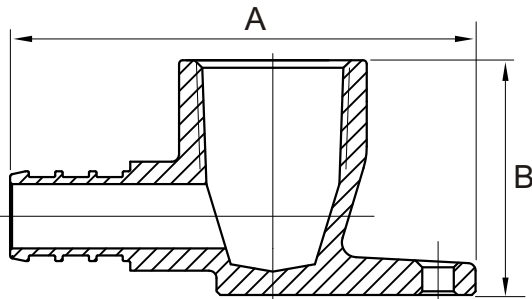


PEX x FIPS SWIVEL (BRASS NUT)			
BMI#	Size	A	B
39204	1/2	28.3	16.6
39206	3/4	28.6	16.8
39207	1/2 x 3/4	28.3	17.2

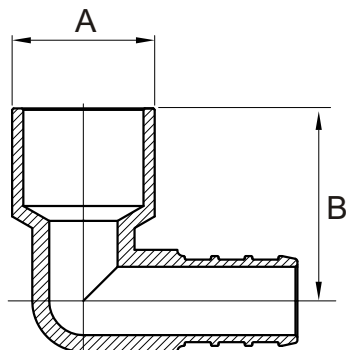
PEX x FIPS SWIVEL (PLASTIC NUT)			
BMI#	Size	A	B
39214	1/2	28.3	19.0



PEX 90° ELBOWS			
BMI#	Size	A	B
39304	1/2	24.5	24.5
39305	3/4	27.4	27.4
39306	1	35.5	35.5
39323	3/4 x 1/2	24.7	26.2

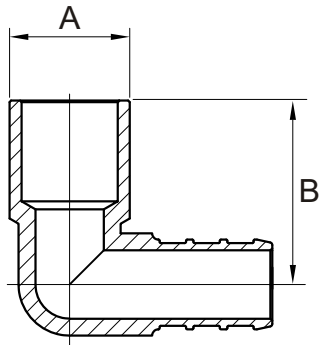


PEX x FIPS 90° ELBOWS WITH DROPEARS			
BMI#	Size	A	B
39399	1/2	59.5	29.4
39375	3/4	59	36.0
39378	3/4 x 1/2	59.4	32.4

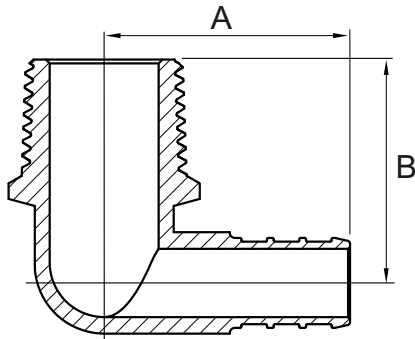


PEX x COP 90° ELBOWS			
BMI#	Size	A	B
39344	1/2	19.7	20.9
39345	3/4	26.0	29.4
39348	1/2 x 3/4	26.0	27.6

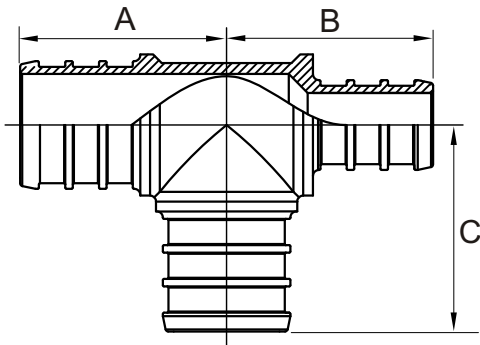
# LEAD FREE BRASS PEX FITTINGS



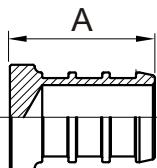
PEX x FTG 90° ELBOWS			
BMI#	Size	A	B
39354	1/2	15.9	25.2
39355	3/4	22.2	35.7



PEX x MIPS 90° ELBOWS			
BMI#	Size	A	B
39364	1/2	30.6	24.9
39365	3/4	30.9	29.8

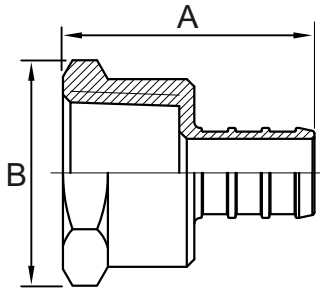


TEES				
BMI#	Size	A	B	C
39404	1/2	24.7	24.7	24.7
39405	3/4	27.2	27.2	27.2
39406	1	34.8	34.8	34.8
39420	1/2 x 1/2 x 3/4	26.1	26.1	25.6
39428	3/4 x 3/4 x 1	31.5	31.5	31.3
39429	3/4 x 3/4 x 1/2	24.7	24.7	27.7
39430	3/4 x 1/2 x 3/4	27.2	26.5	27.0
39431	3/4 x 1/2 x 1/2	26.2	25.5	27.4
39438	1 x 1 x 3/4	32.1	32.1	31.3
39440	1 x 1 x 1/2	30.1	30.1	32.0
39442	1 x 3/4 x 1	34.7	31.0	37.4
39443	1 x 3/4 x 3/4	31.5	28.0	31.5
39445	1 x 3/4 x 1/2	30.0	26.3	32.0
39448	1 x 1/2 x 1	35.5	31.0	36.0

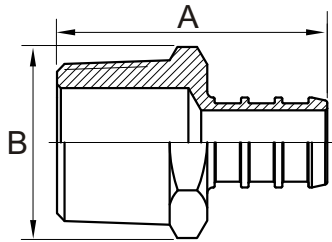


PLUGS		
BMI#	Size	A
39604	1/2	19.6
39605	3/4	19.5
39606	1	24.1

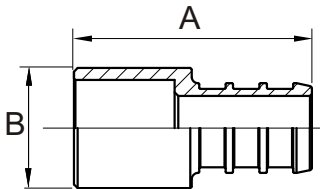
# LEAD FREE BRASS PEX FITTINGS



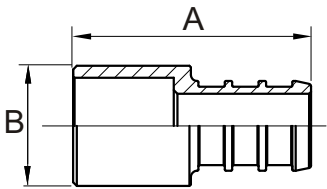
PEX x FIPS ADAPTERS			
BMI#	Size	A	B
39704	1/2	32.3	28.8
39705	3/4	32.8	35.0
39706	1	42.4	42.0
39717	1/2 x 3/4	32.8	34.4
39723	3/4 x 1/2	32.6	27.6



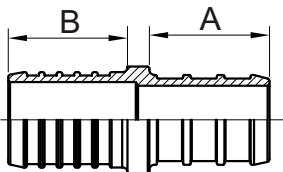
PEX x MIPS ADAPTERS			
BMI#	Size	A	B
39804	1/2	33.6	25.2
39805	3/4	34.1	29.7
39806	1	43.3	38.1
39817	1/2 x 3/4	34.3	29.8
39823	3/4 x 1/2	33.3	27.3
39823	3/4 x 1	38.9	37.7
39823	1 x 3/4	38.7	32.0



PEX x COP ADAPTERS			
BMI#	Size	A	B
39904	1/2	31.1	19.0
39905	3/4	38.1	25.8
39906	1	46.6	32.9
39923	3/4 x 1/2	31.0	19.0

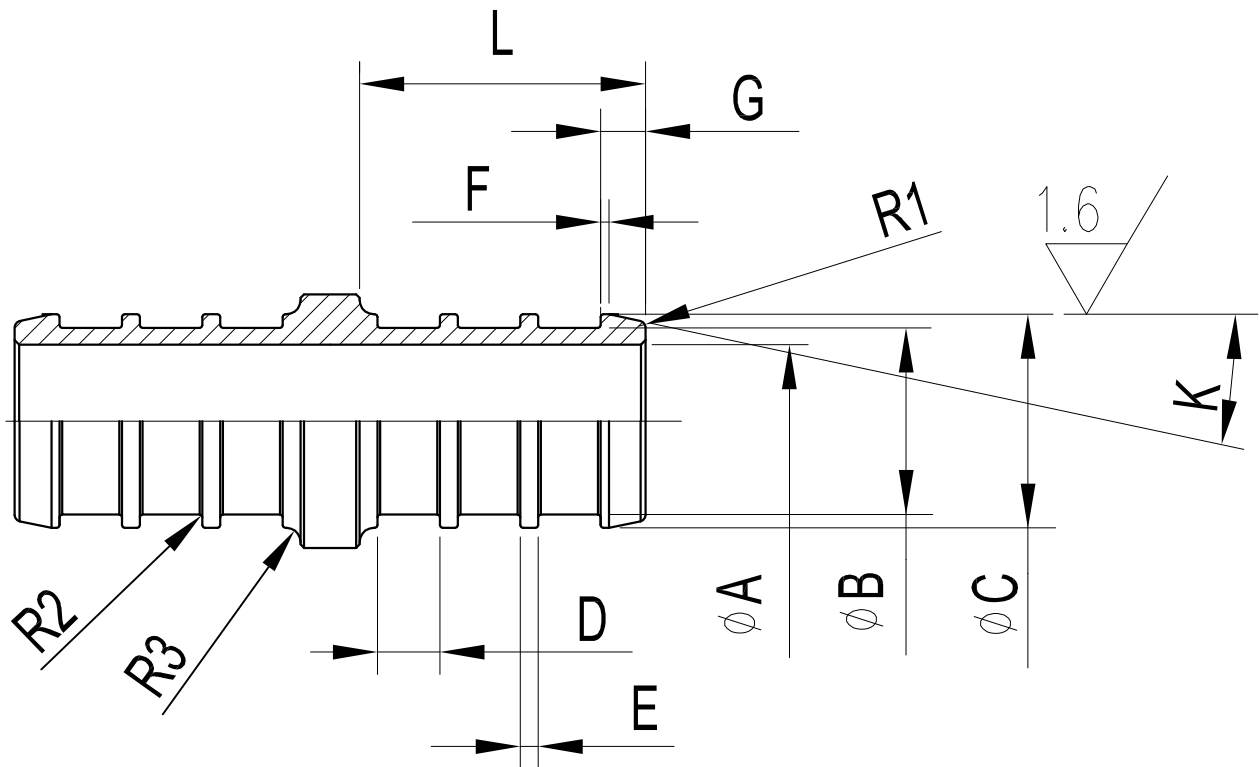


PEX x FTG ADAPTERS			
BMI#	Size	A	B
39914	1/2	32.1	15.9
39915	3/4	40.2	22.2
39916	1	47.1	28.6
39917	3/4 x 1/2	32.1	15.8



PEX x PB ADAPTERS			
BMI#	Size	A	B
39924	1/2	16.0	15.5
39925	3/4	16.0	15.5

# LEAD FREE BRASS PEX FITTINGS



mm	Tol.	1/2"	3/4"	1"
<b>A</b>	+0.15 -0.05	9.1	13.6	18.2
<b>B</b>	+0.10	11.0	16.0	20.82
<b>C</b>	+0.07	11.96	16.94	21.74
<b>D</b>	+0.10	3.4	3.4	3.4
<b>E</b>	+0.10	0.9	0.9	0.9
<b>F</b>	-	0.45	0.45	0.45
<b>G</b>	+0.10	2.45	2.45	2.45
<b>K</b>	-	12°	12°	12°
<b>L</b>	+0.20 -0.10	16.0	16.0	20.5
<b>R1</b>	-	0.35	0.35	0.35
<b>R2</b>	-	0.15	0.15	0.15
<b>R3</b>	-	0.8	0.8	0.8

**Performance:**

Max. pressure 100 psi / 689 kPa  
 Max. temperature 180 °F / 82 °C (water)  
 Water Potable water, distribution systems & hydronic heating systems  
 Interior installation With or without an access panel  
 Exterior installation Above or underground (protected)

**Metal alloy:**

C46500 DZR (Dezincification resistant)

**Complies with:**

ASTM F1807  
 CSA B137.5  
 ANSI/NSF Standard 61  
 ANSI/NSF Standard 372  
 ANSI/NSF Standard 14

**Compatible with PEX pipe:**  
 ASTM F876-877

