

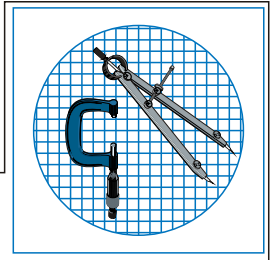


Montreal ~ Toronto ~ Vancouver ~ Cincinnati

[www.bmicanada.com](http://www.bmicanada.com)

1-800-361-1452

1-800-561-8579



## TECHNICAL INFORMATION

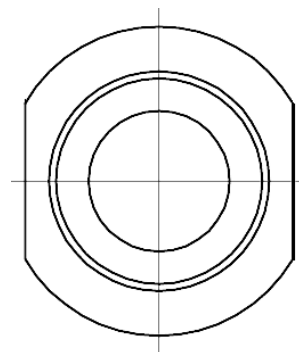
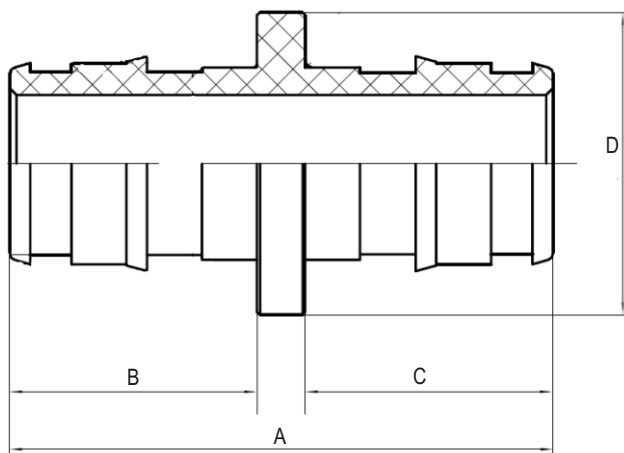


## BLACK POLY-ALLOY (PPSU) F1960 FITTINGS COLD EXPANSION

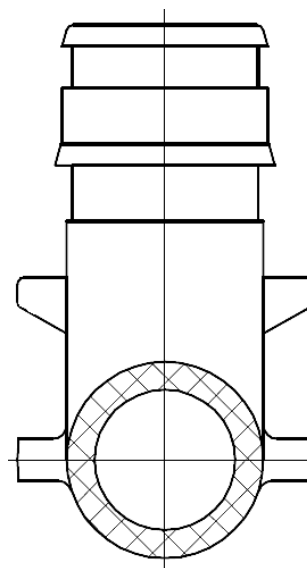
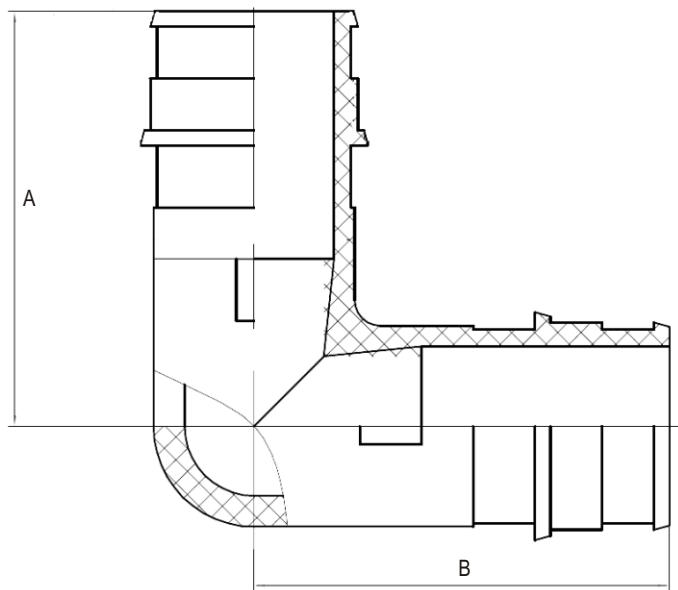




Complies with:  
**ASTM F1960**  
**CSA B137.5**  
**ANSI/NSF pw-G**



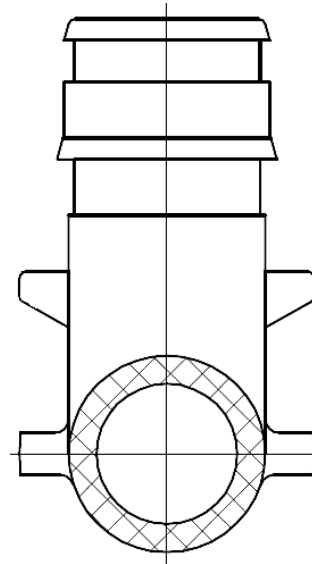
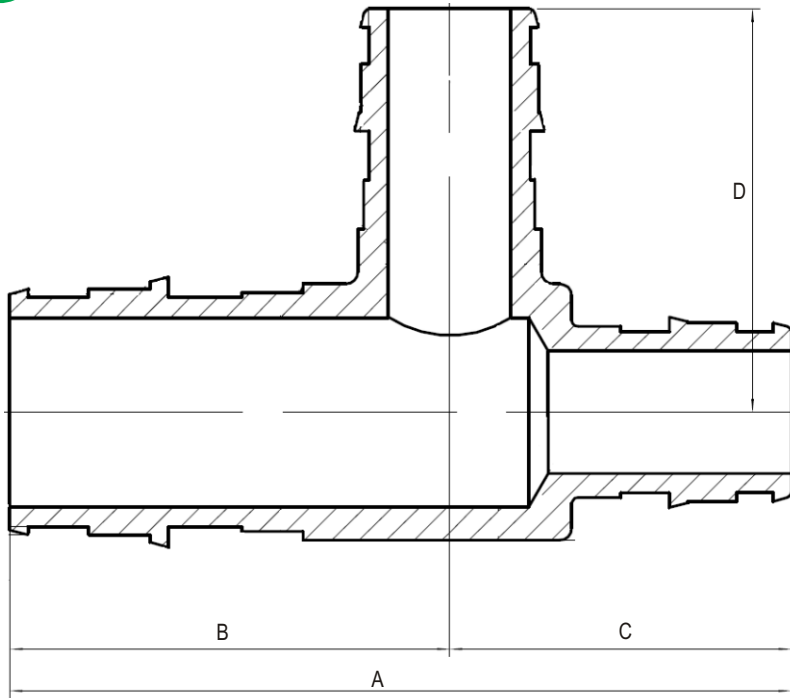
<b>COUPLINGS</b>					
<b>BMI#</b>	<b>Size</b>	<b>A</b>	<b>B</b>	<b>C</b>	<b>D</b>
42004	1/2	1.555	0.709	0.709	0.866
42005	3/4	2.048	0.955	0.955	1.063
42006	1	2.559	1.191	1.191	1.260
42023	3/4 × 1/2	1.791	0.955	0.709	1.063
42027	1 × 3/4	2.343	1.191	0.955	1.260



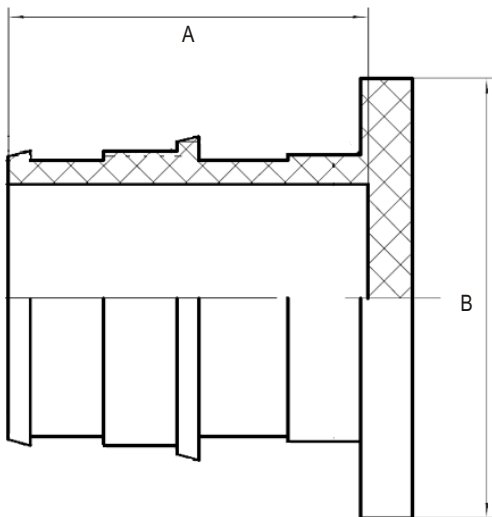
<b>90° ELBOWS</b>			
<b>BMI#</b>	<b>Size</b>	<b>A</b>	<b>B</b>
42304	1/2	1.220	1.220
42305	3/4	1.585	1.585
42306	1	1.969	1.969
42323	3/4 × 1/2	1.417	1.299



Complies with:  
**ASTM F1960**  
**CSA B137.5**  
**ANSI/NSF pw-G**



TEES					
BMI#	Size	A	B	C	D
42404	1/2	2.440	1.220	1.220	1.142
42405	3/4	3.169	1.585	1.585	1.457
42406	1	3.937	1.969	1.969	1.969
42420	1/2 x 1/2 x 3/4	2.362	1.181	1.181	1.457
42428	3/4 x 3/4 x 1	3.465	1.732	1.732	1.870
42429	3/4 x 3/4 x 1/2	2.835	1.417	1.417	1.299
42430	3/4 x 1/2 x 3/4	2.776	1.576	1.200	1.575
42431	3/4 x 1/2 x 1/2	2.520	1.417	1.102	1.299
42443	1 x 3/4 x 3/4	3.386	1.816	1.570	1.690

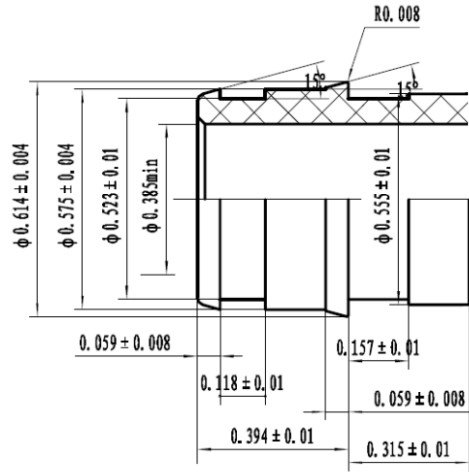


PLUGS			
BMI#	Size	A	B
42604	1/2	0.728	0.866
42605	3/4	0.976	1.181
42606	1	1.191	1.256

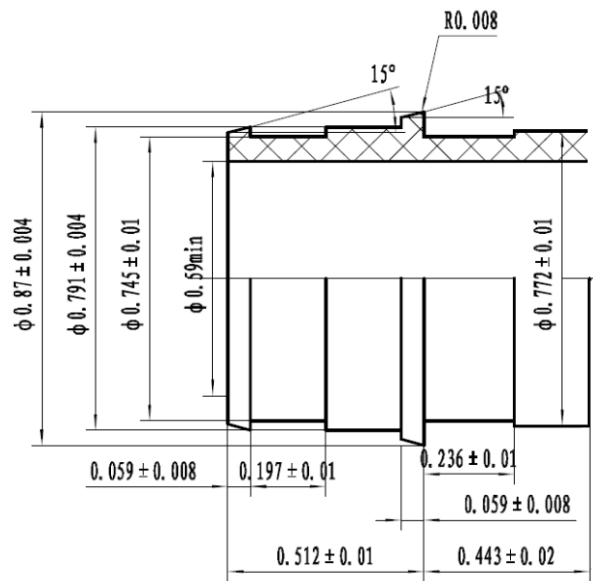


Complies with:  
ASTM F1960  
CSA B137.5  
ANSI/NSF pw-G

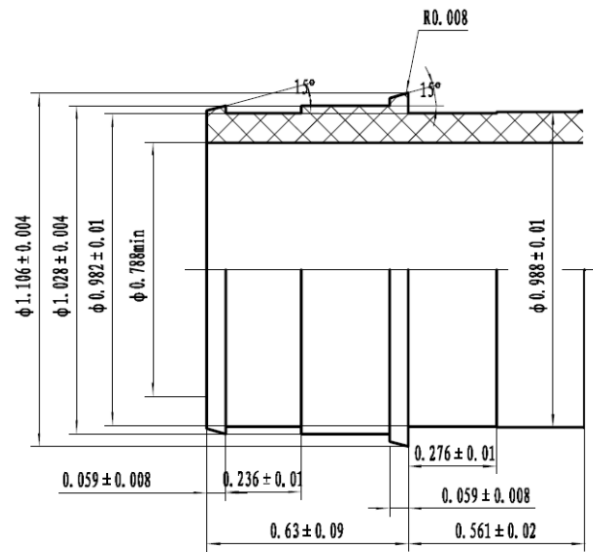
**1/2"**



**3/4"**



**1"**





Complies with:  
**ASTM F1960**  
**CSA B137.5**  
**ANSI/NSF pw-G**

## Specifications:

- Acudel® 22000 by injection molding
- Working pressure: 100 to 150 psi
- Working temperature: 140 °F (60 °C) to 194 °F (90 °C)
- Potable drinking water
- Hydronic heating system

## Complies with:

ASTM F1960, CSA B137.5, ANSI/NSF pw-G

## Manufactured by:

Cixi Welday Plastic Product Co., Ltd

## Certified by:

NSF

Material (Acudel 22000) properties	ASTM Test Method	Typical Values <sup>(1)</sup>			
		U.S.A. Units		Metric Units	
		Value	Unit	Valeur	Unité
<b>Mechanical</b>					
Tensile Strength	D 638	11.2	kpsi	77	MPa
Tensile Modulus	D 638	387	kpsi	2.67	GPa
Tensile Elongation at Yield	D 638	6.7	%	6.7	%
Tensile Elongation at Break	D 638	50	%	50	%
Flexural Strength	D 790	15.7	kpsi	108	MPa
Flexural Modulus	D 790	402	kpsi	2.77	GPa
Tensile Impact Strength	D 1822	175	pi-lb/po <sup>2</sup>	388	KJ/m <sup>2</sup>
Izod Impact Strength	D 258	2	pi-lb/po	105	KJ/m
<b>Thermal</b>					
Heat Deflection Temperature at 264 psi (1.8 MPA)	D 648	367	°F	197	°C
<b>Electrical</b>					
Dielectric Strength, 1/8" (3.2mm)	D 149	470	V/mil	18.5	kV/mm
Dielectric Constant at 1 MHz	D 150	3.4		3.4	
Dissipation Factor at 1 MHz	D150	0.008		0.008	
Volume Resistivity	D 257	>9 x 10 <sup>15</sup>	ohm - cm	>9 x 10 <sup>15</sup>	ohm - cm
<b>General</b>					
Specific Gravity	D 792	1.28		1.28	
Melt Flow 715 °F (360 °C), 2.16 kg	D 1238	12	g/10 min.	12	g/10 min.
Mold Shrinkage	D 955	0.7	%	0.7	%
Moisture Absorption, 24 hours	D 570	0.3	%	0.3	%
Moisture Absorption, 30 days	D 570	0.9	%	0.9	%

<sup>(1)</sup> Properties of individual batches will vary within specification limits. Properties are typical of uncolored material. Colorants or other additives may alter properties.

<sup>(2)</sup> Annealed 0.125 inch (3.2mm) thick specimens.